



Touch of Glass

Automatic Doors & Glass Hardware



Touch of Glass is a company specialized in solutions and products for the glass, aluminum and shop fitting market. We offer an extensive choice in shower, balustrade, glass and door fittings.

Touch of Glass also supplies exceptional quality automation for sliding and swing doors.

Our suppliers are based worldwide and especially chosen to suit the high quality requirements of our customers.

Our Partners



Unit 10 Spencer Square
6 Spencer Road
Salt River 7925
Cape Town, South Africa

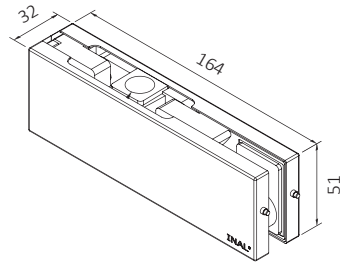
admin@tog.co.za
alexander@tog.co.za
tech@tog.co.za
Tel : 021 447 7411 /021 447 1328
Fax : 021 447 7990
Cell : 0829011423
www.tog.co.za



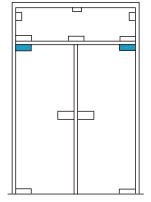
hinges

HINGES

PT20

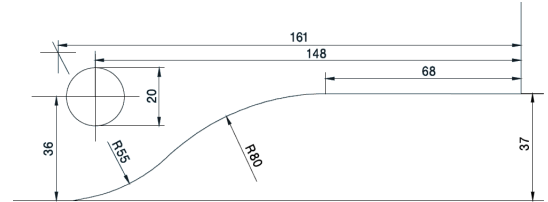


max dimensions
1,10m x 2,50m



Upper hinge

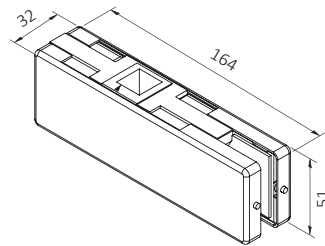
10- 12mm 558 gr | Cover finishing .13 .14



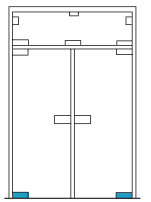
PT10 - I



ITALIAN SPINDLE

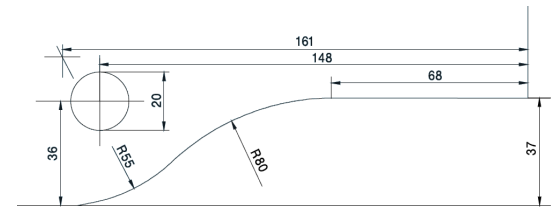


max dimensions
1,10m x 2,20m



Lower hinge

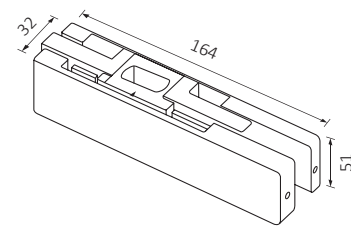
10mm 328 gr
Cover finishing .01 .02 .07 .08 .13 .14 .21 .21BLACK .25



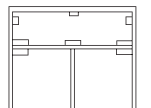
PT10



GERMAN SPINDLE
(FLAT CONE)

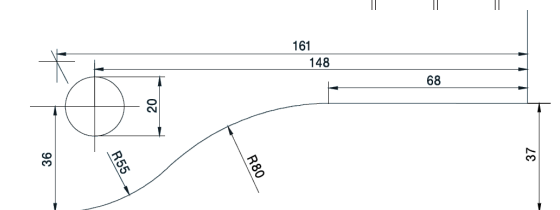


max dimensions
1,10m x 2,20m

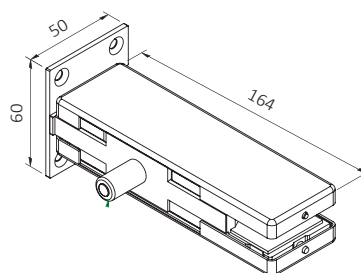


Lower hinge for flat cone spindle

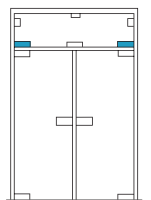
10mm 328 gr
Cover finishing .01 .02 .07 .08 .13 .14 .21 .25



PT30

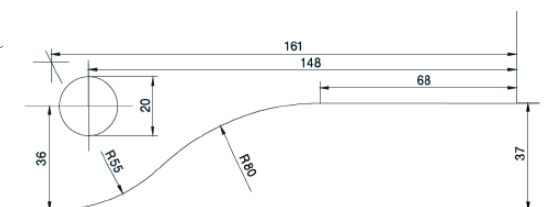


max dimensions
1,10m x 2,20m



w all Glass Support with pivot

10mm, 353 gr
Cover finishing .01 .02 .07 .08 .13 .14 .21 .21BLACK .25



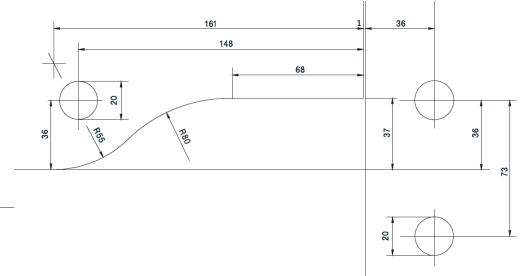
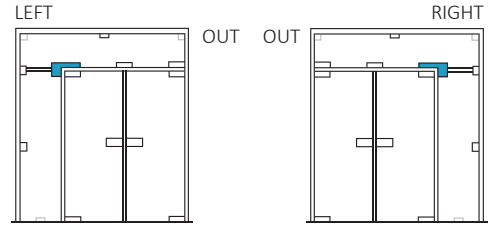
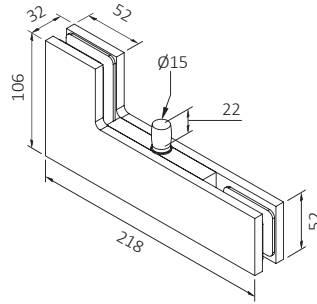
HINGES

PT40



Angle Pivot Support Left/ Right

10mm 2188 gr | Finishing .13 .14
.21BLACK

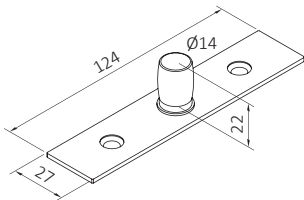


top pivot for hinges

PT24



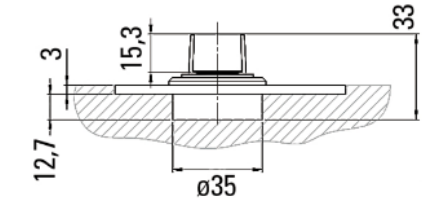
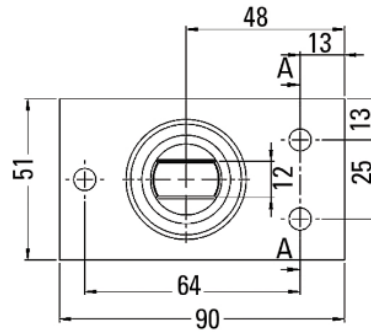
SUITABLE FOR HINGE 141



Rectangular top pivot

77 gr | Finishing .13 .14

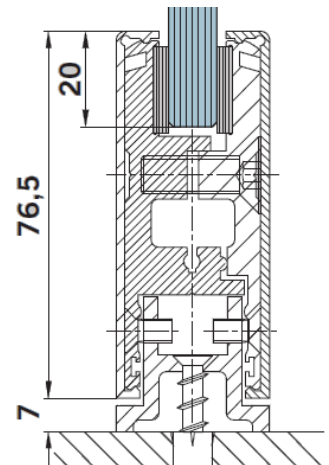
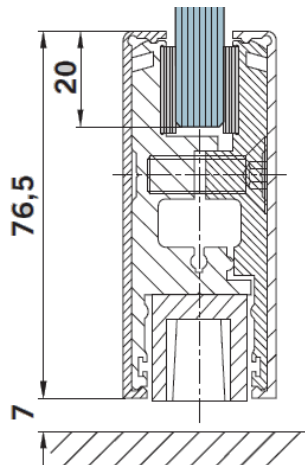
PT11



Rectangular bottom pivot

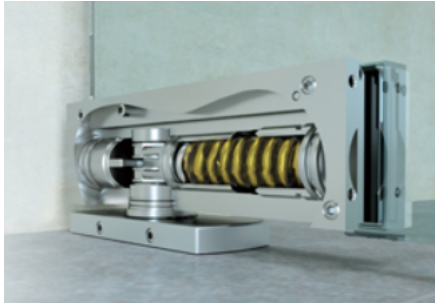
77 gr | Finishing .13 .14

GLASS RAILS



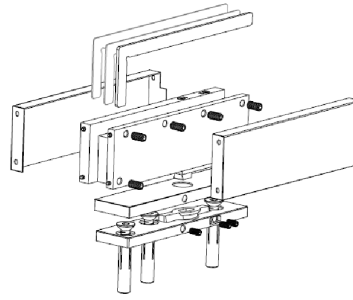
HINGES

BES-100



Self closing Hydraulic Floor Hinge

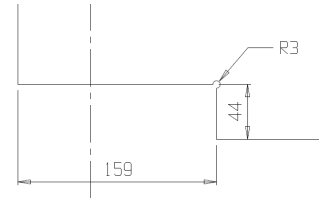
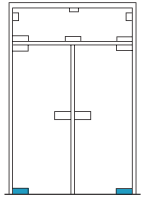
8-10-13.5mm, 1083 gr | Finishing .



Application of Gaskets

Thickness of Door	10mm	12mm	13.5mm
Gasket Use	6 pcs	4 pcs	2 pcs

max dimensions
1,10m x 2,20m

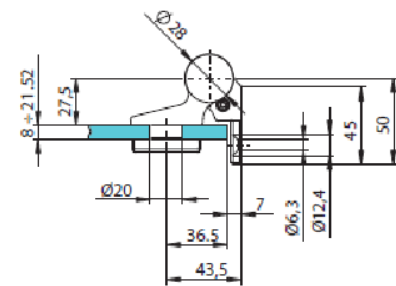
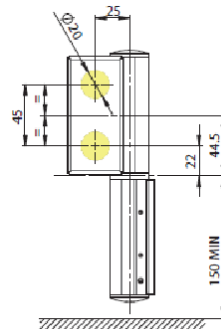
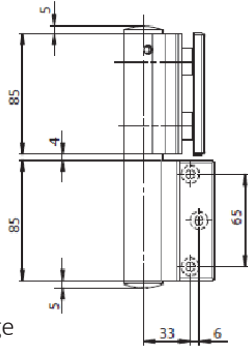


BILOBA - EVO 830E 10 BILOBA®

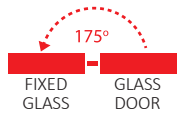
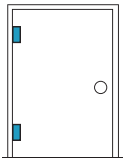


Self closing Hydraulic Wall Hinge

8-21.52mm, 797 gr | Finishing .



max dimensions
0,80m x 2,20m
max weight 44kg

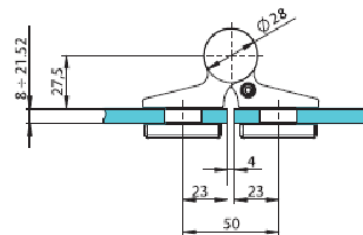
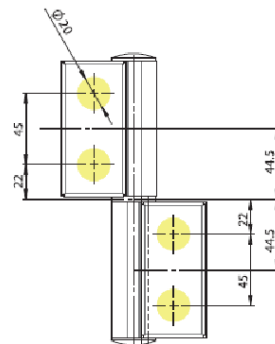
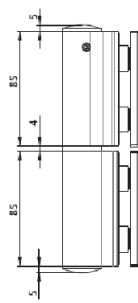


BILOBA - EVO 830E 50 BILOBA®

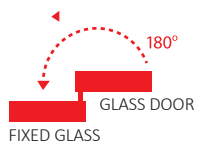
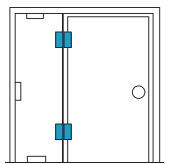


Self closing Hydraulic Glass Hinge

8-21.52mm, 473 gr | 797 gr | Finishing .



max dimensions
1,00m x 2,50m
max weight 125kg



BILOBA - 8010

BILOBA®



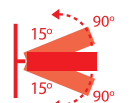
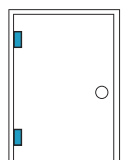
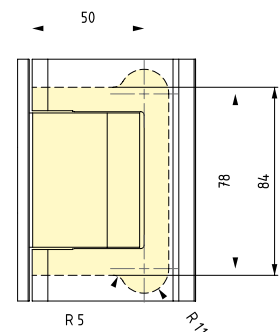
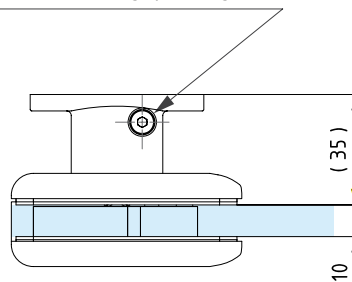
max dimensions
0,75m x 2,10m
max weight 40kg

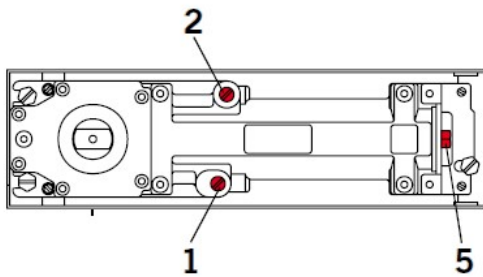
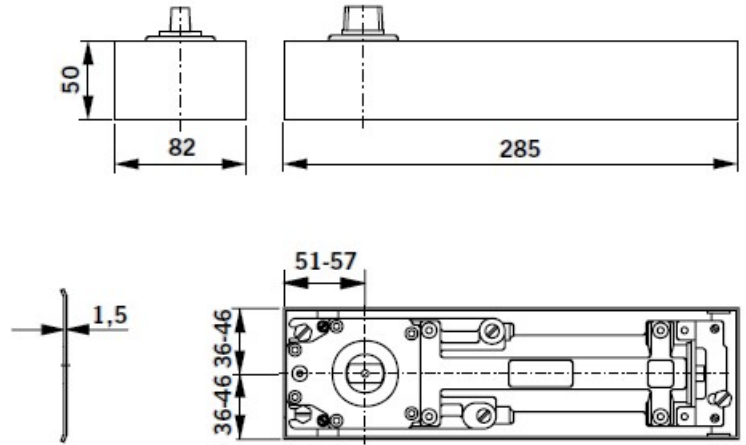
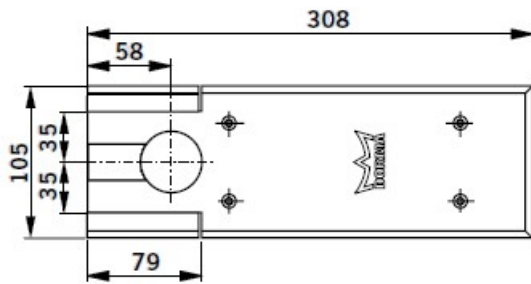


Self closing Hydraulic Wall Hinge

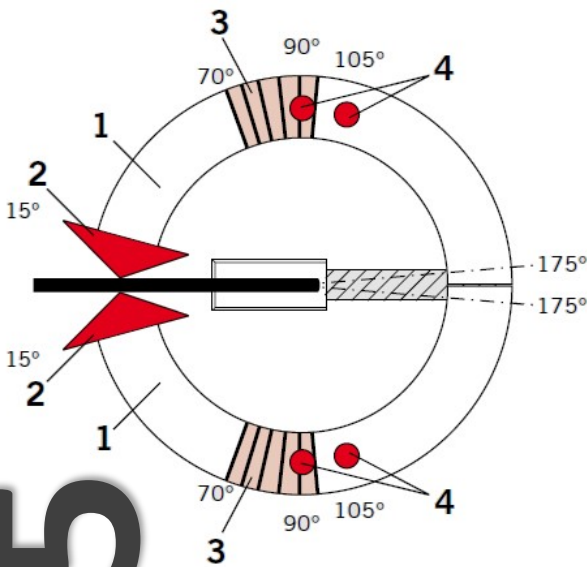
8-10mm, 473 gr | Finishing .15 .16

Adjusment valve closing speed of glazed





- 1 Adjustable closing speed in the range 175° – 15°.
- 2 Adjustable closing speed in the range 15° – 0°.
- 3 Mechanical backcheck (from approx. 70°).
- 4 Fixed hold-open at 90° or 105° (option).
- 5 Adjustable spring strength (EN 1-4).



Closing speed
With two independently adjustable closing ranges (175° – 15° and 15° – 0°) the DORMA BTS 75 V is ideally adaptable to different structural conditions.

Backcheck
The integrated mechanical backcheck function protects the wall and door from damage caused by excessively vigorous opening.

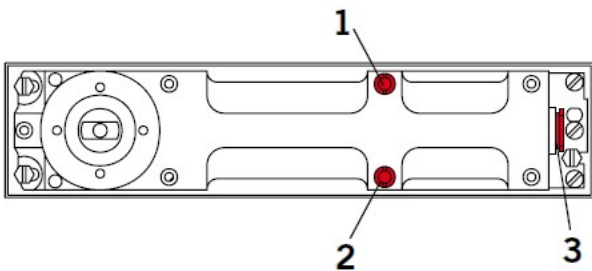
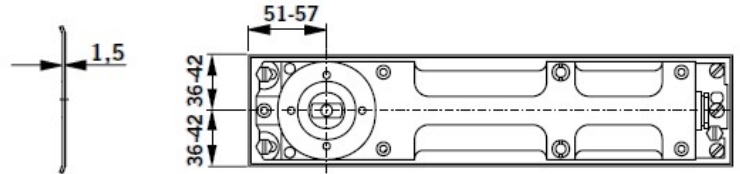
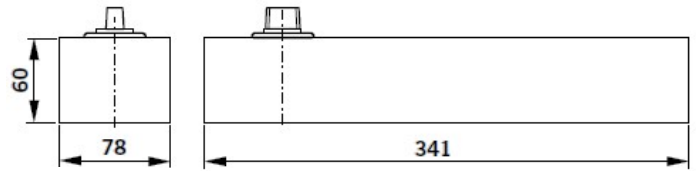
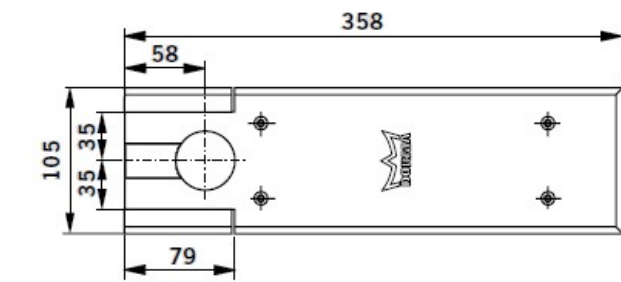
Fixed hold-open (option)
With the fixed hold-open function the door can be held open at an angle of 90° or 105°, depending on model.
Not suitable for use on Fire doors.



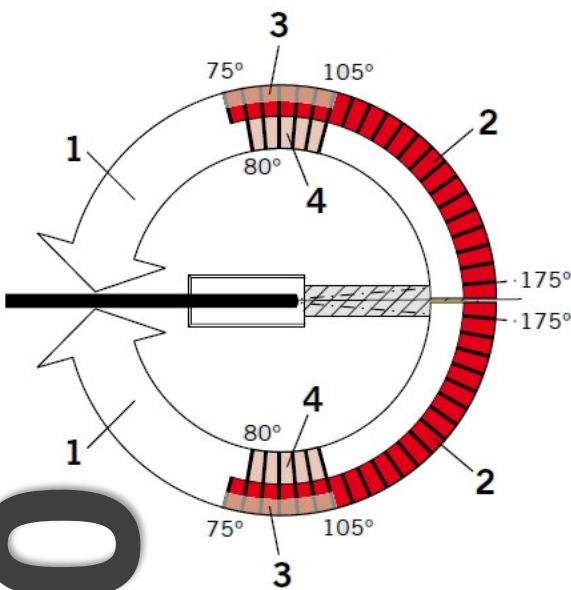
The DORMA BTS 75 V is CERTIFIRE approved (Certificate No. 127) for door types ITT 60 and IMM, IMN 240.

BTS-75





- 1 Adjustable closing speed
- 2 Hold-open range or delayed action range
- 3 Adjustment range – point at which hold-open begins, or end of delayed action range (approx. 75° to 105°).
- 4 Mechanical backcheck (from approx. 80°)



Hydraulic hold-open

The integrated hold-open function allows the door to be held open at any angle between 75° and 175°. The angle at which the hold-open function begins can be adjusted in the range of 75° to 105°.

Delayed action

The delayed action function slows the door closing speed, thereby allowing disabled persons, mothers with pushchairs, staff with trolleys or hospital gurneys etc. to pass through the door without problem.

Backcheck

The integrated mechanical backcheck function protects the wall and door from damage caused by excessively vigorous opening.

BTS-80



Rack & Pinion With Standard Arm



Product Features:

- Adjustable power size 2-6
- Adjustable closing & latching speed
- Thermo-constant valve
- Adjustable back check
- Surface mount
- Rack & pinion action
- Standard arm mechanism
- Delay action (optional upon request)

- Power size 2-6
- Max. Door width (mm) 1400
- Max. Opening Angle 180

Application Ranges:

- Standard door mount on pull side
- Transom mount on push side *
- Parallel bracket application on size 3-5
- Single-action door
- Non-handed installation

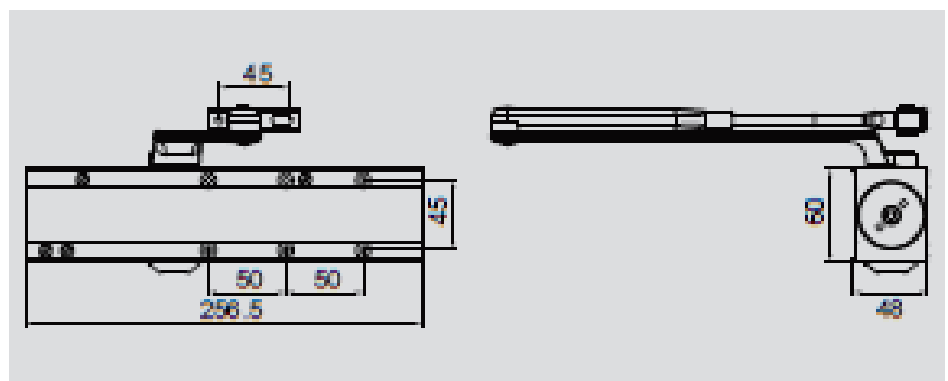
Finishes:

- Anodized aluminum for door closer body as standard
- Painted – silver, brown, gold, black, white & other RAL colors upon request & discussion
- Plating (for cover only) US32D & other US finish code colors upon request & discussion

Accessories:

- Hold open arm
- Parallel bracket
- Cover

Dimensions:



T81J



Certificate:
BS EN 1154: 1997
BS EN1634-1:2000



EN Standard Door Closer - Cam Action System

Product Features:

- Fixed power size 3
- Adjustable closing & latching speed
- Thermo-constant valve
- Surface mount
- Cam action
- Track arm mechanism

- Power size 3
- Max. Door width (mm) 950
- Max. Opening Angle

Application Ranges:

- B type: Door mount pull side & transom mount push side
- G type: Door mount push side & transom mount pull side
- Single-action door
- Non handed installation

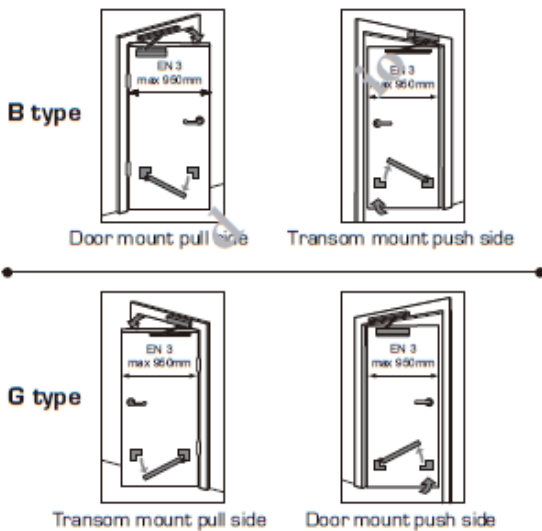
Finishes:

- Anodized aluminum for door closer body and track rail as standard
- Painted – silver, brown, gold, black, white & other RAL colors upon request & discussion

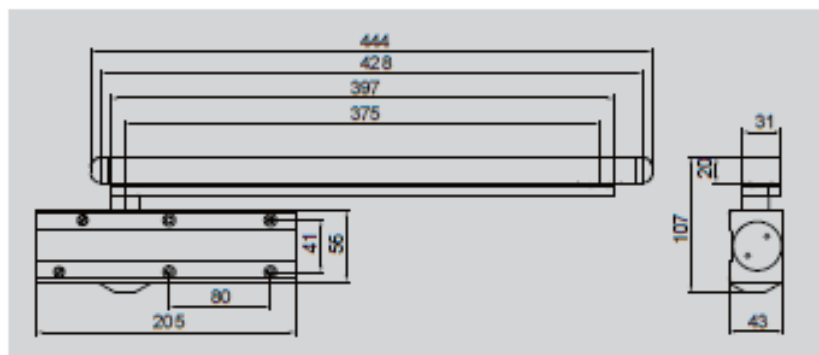
Accessories:

- Hold open device
- Cushion limit stay

Installation:



Dimensions:



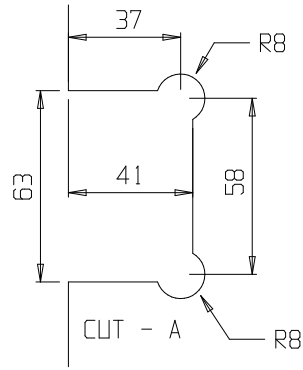
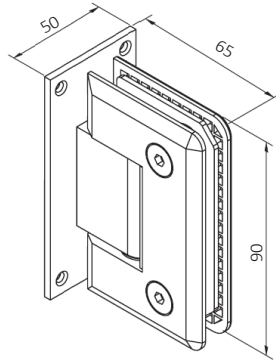
T91B



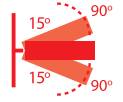
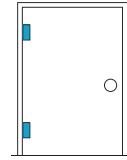
Certificate:
BS EN 1154: 1997
BS EN1634-1:2000

HINGES

OXB-301



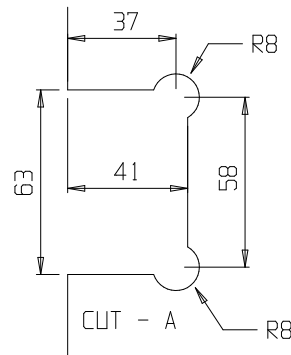
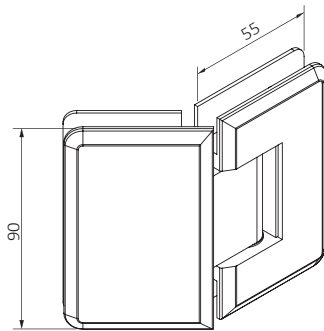
max dimensions
0,90m x 2,20m
max weight
50kg



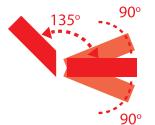
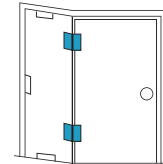
Hinge with Return W-G

8-10mm, AL. 490 gr | Finishing .01 .21 .21BLACK .25

OXB-302



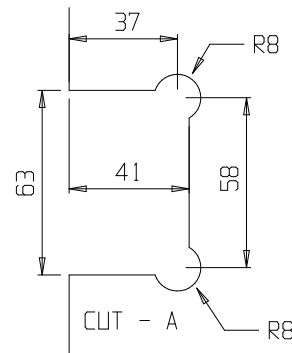
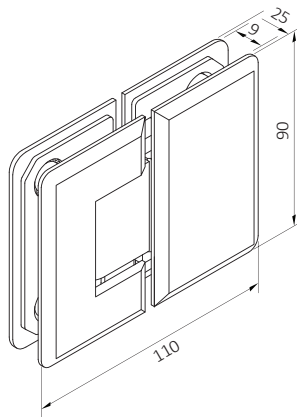
max dimensions
0,80m x 2,20m
max weight 44kg



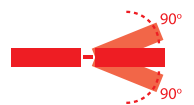
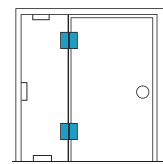
Hinge with Stop 135° G-G

8-10mm, 768 gr | Finishing .09 .21 .21BLACK .29 .30

OXB-303



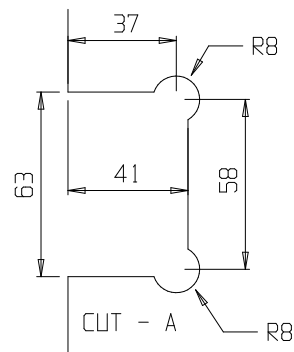
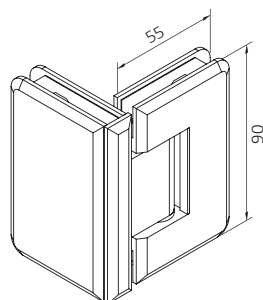
max dimensions
0,75m x 2,10m
max weight 40kg



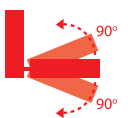
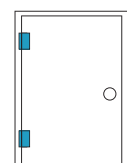
Hinge with Stop G-G

8-10mm, 773 gr | Finishing .15 .16 .21BLACK

OXB-304



max dimensions
0,80m x 2,20m
max weight 44kg

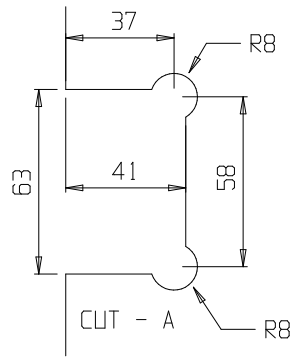
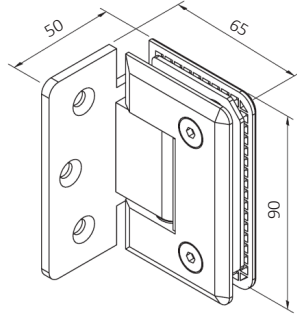


Hinge with Stop 90° G-G

8-10mm, 823 gr | Finishing .09 .21 .21BLACK .29 .30

HINGES

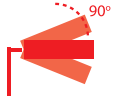
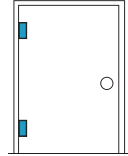
OXB-305



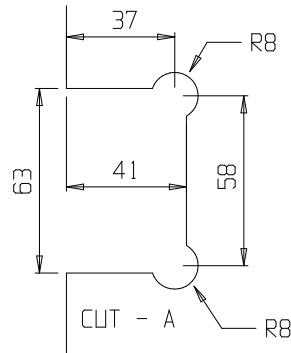
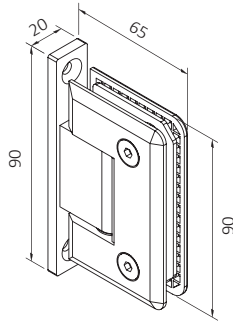
max dimensions
0,80m x 2,20m
max weight 44kg

Hinge with Stop G-w [Side Plate]

8-10mm, 540 gr | Finishing .09 .10 .11 .21
.21BLACK .29 .30



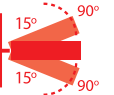
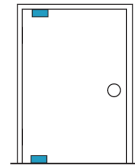
OXB-500



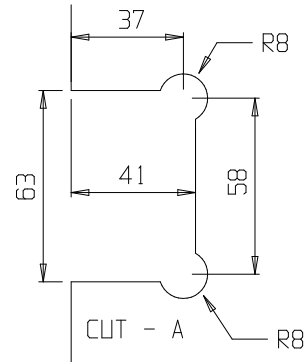
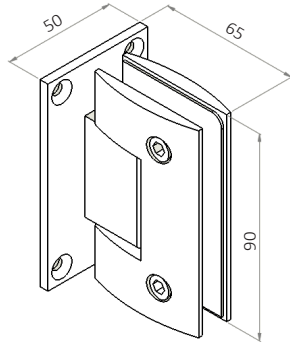
max dimensions
0,80m x 2,20m
max weight 44kg

Hinge with Stop G-w

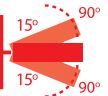
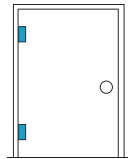
8-10mm, 458 gr | Finishing .15 .21 .29



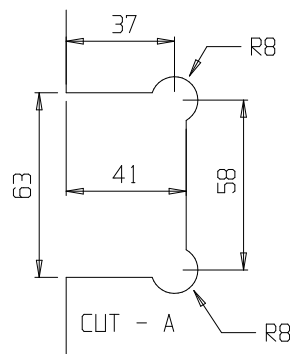
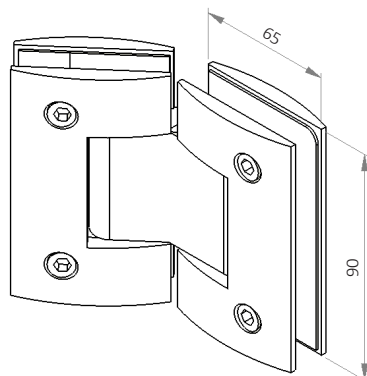
OXB-221



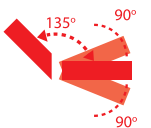
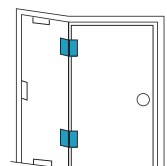
max dimensions
0,90m x 2,20m
max weight
50kg



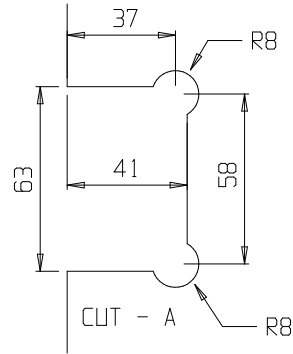
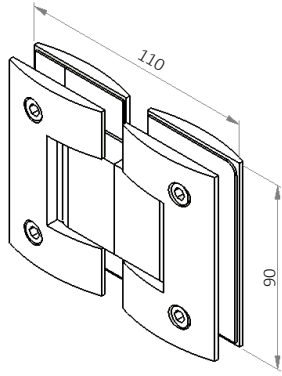
OXB-222



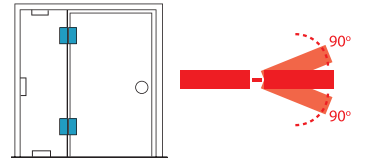
max dimensions
0,80m x 2,20m
max weight 44kg



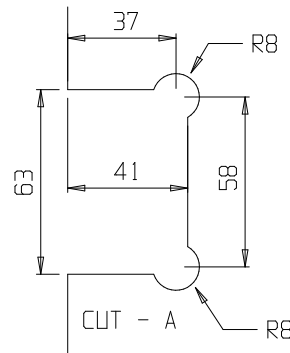
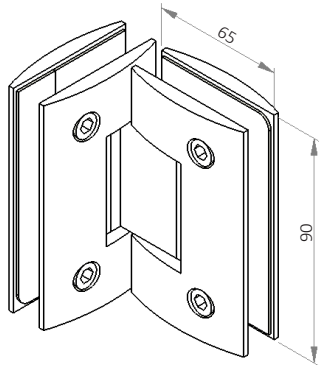
OXB-223



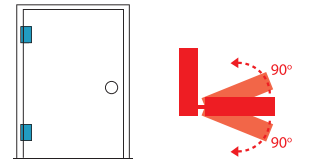
max dimensions
0,75m x 2,10m
max weight 40kg



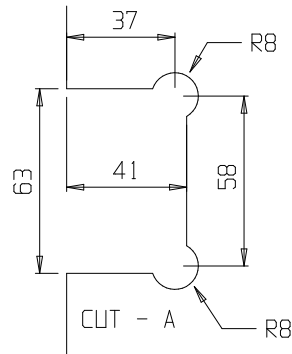
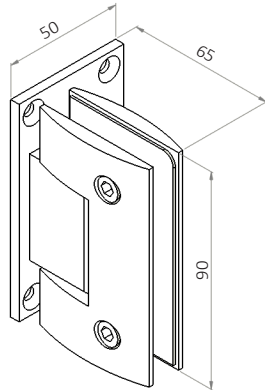
OXB-224



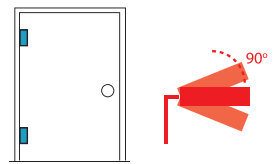
max dimensions
0,80m x 2,20m
max weight 44kg



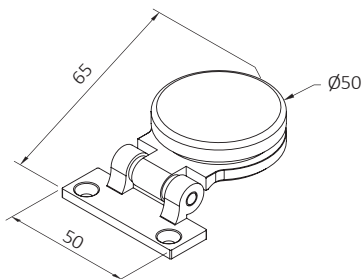
OXB-225



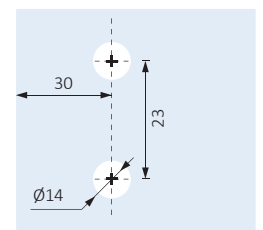
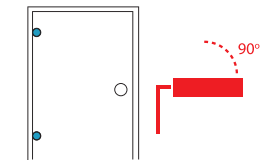
max dimensions
0,80m x 2,20m
max weight 44kg



OXB-746



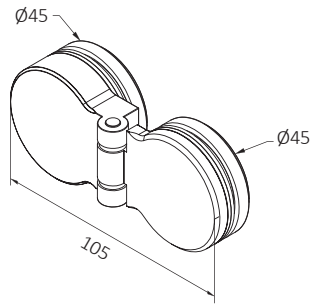
max dimensions
0,60m x 2,00m
max weight 30kg



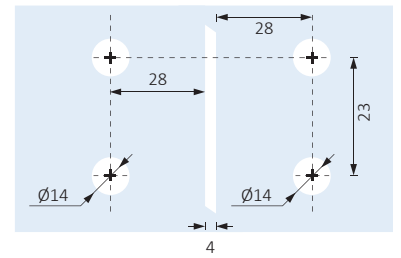
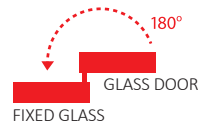
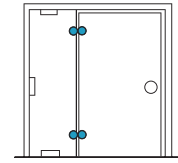
Bathroom Hinge G-w

6-8mm 97 gr | Finishing .15 .17

OXB-745



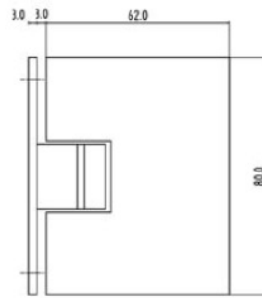
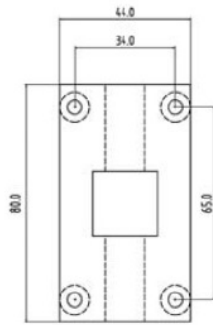
max dimensions
0,60m x 2,00m
max weight 30kg



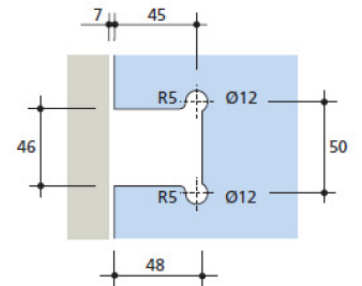
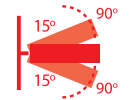
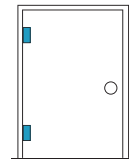
Bathroom Hinge G-G

6-8mm 209 gr | Finishing .15 .17

3021



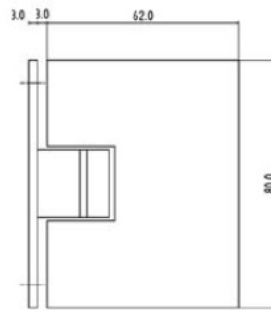
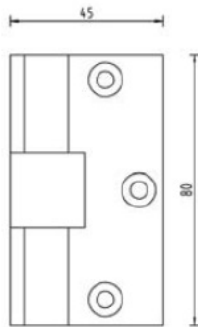
max dimensions
0,90m x 2,20m
max weight
50kg



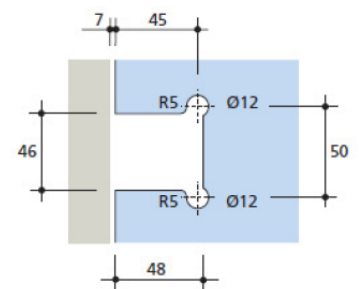
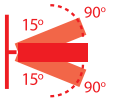
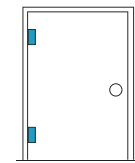
Bathroom Hinge G-G

6-8mm 209 gr | Finishing .15 .17

3024



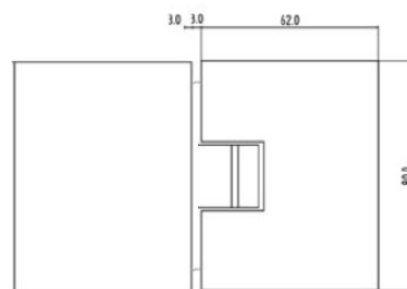
max dimensions
0,90m x 2,20m
max weight
50kg



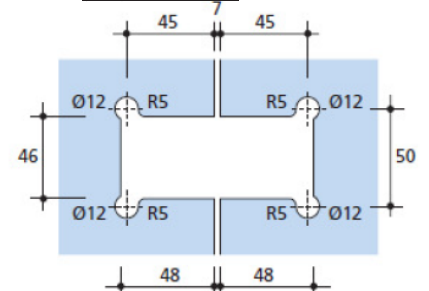
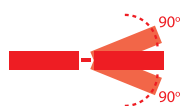
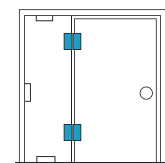
Bathroom Hinge G-G

6-8mm 209 gr | Finishing .15 .17

3022



max dimensions
0,75m x 2,10m
max weight 40kg



Bathroom Hinge G-G

6-8mm 209 gr | Finishing .15 .17

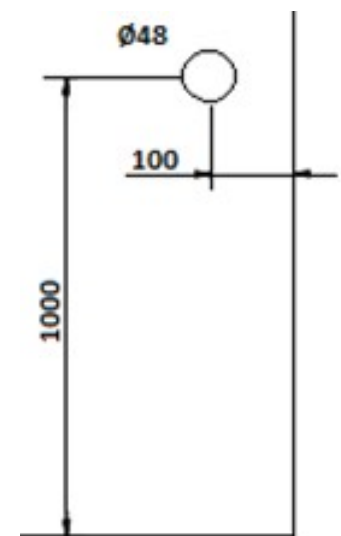
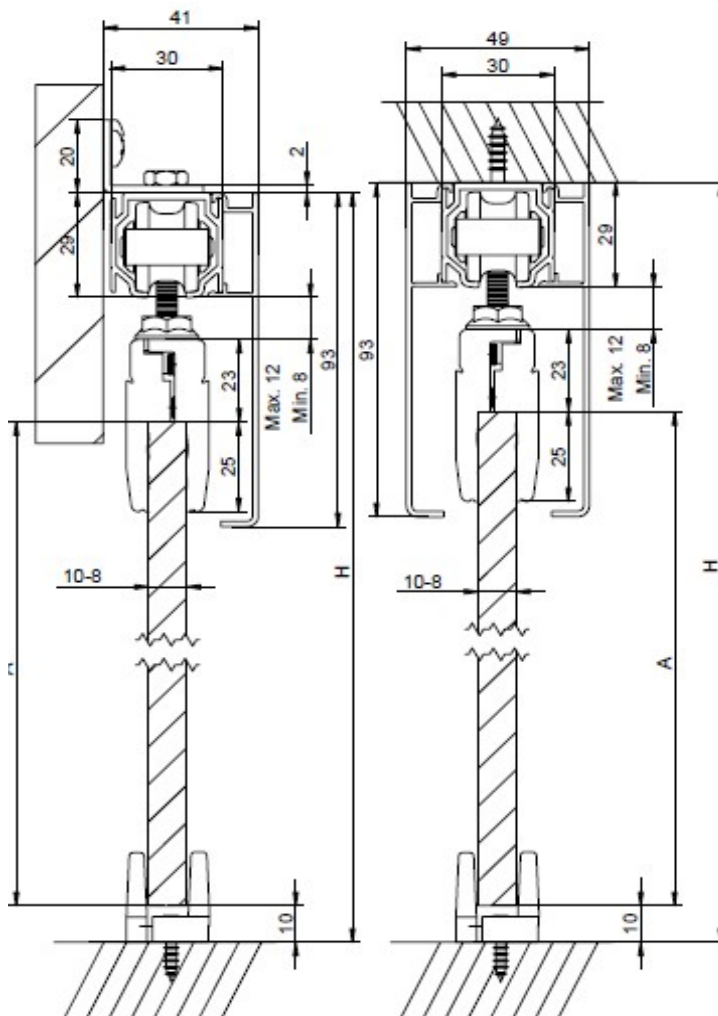


sliding door

TOG

Touch of Glass
door & glass fittings

The SV-80A is a system for sliding leaves of 80kg Weight. It has an aluminium upper profile with Side grooves for easy fitting and removal of the Trim covers by means of the exclusive "take cover" System. Its design and solidity enable it to be Fitted uncovered. It is presented in silver-anodized Aluminium and natural aluminium. This model Has rollers with ball bearings to absorb any Irregularities in the parallel alignment of the Installation. This composition of this material Reduces possible movement noise. The lower Guide is made of natural polyamide and is Adjustable to permit the installation of panes of Different thicknesses.



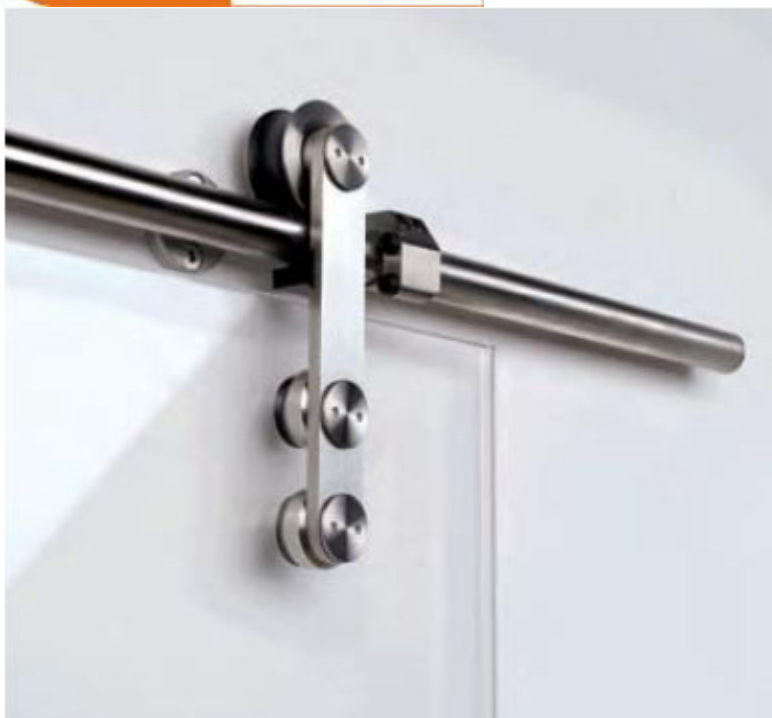
SV-80

TOG

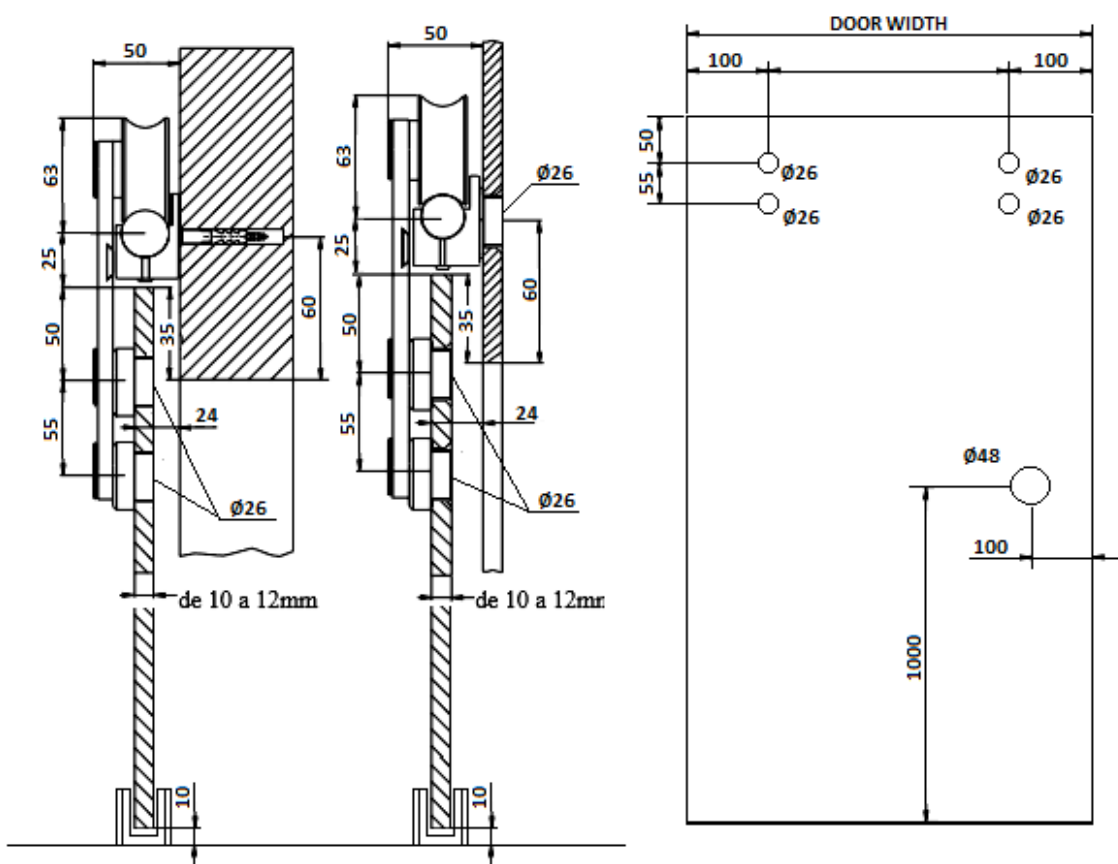
Touch of Glass
door & glass fittings

The SV-I 120 system is characterised by:

SV-I 120 is a mechanism for sliding panels of up to 120kg per panel, in stainless steel. The top strip is circular in shape and is sturdy enough to support the weight of the various panels, with the supports fitted in the places indicated. The wheels are of stainless steel with ball bearings. The model is fitted with supports for wall and glass, depending on the type of installation to be carried out, also in stainless steel with a black nylon runner band. It is also fitted with a bottom guide. One of the requirements of the SV-I 120 is that the glass panels need to be of tempered glass, since they are mechanised. The striking features of this model are its design and its visible mechanisms.

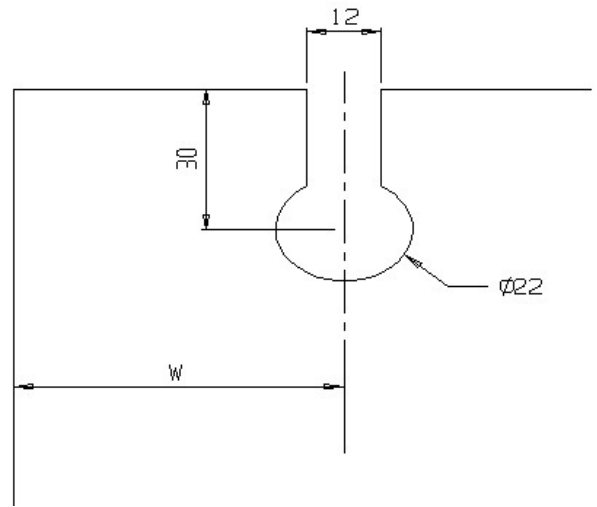
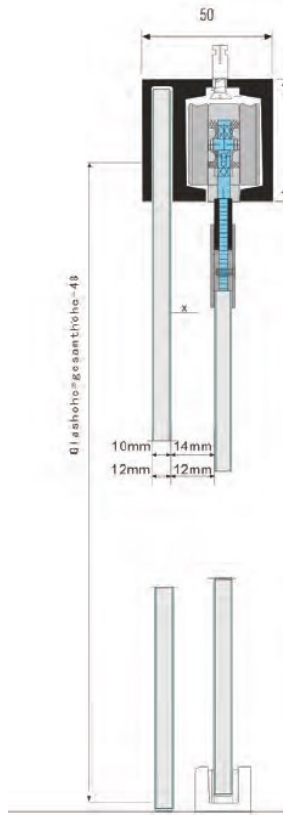


SV-I 120

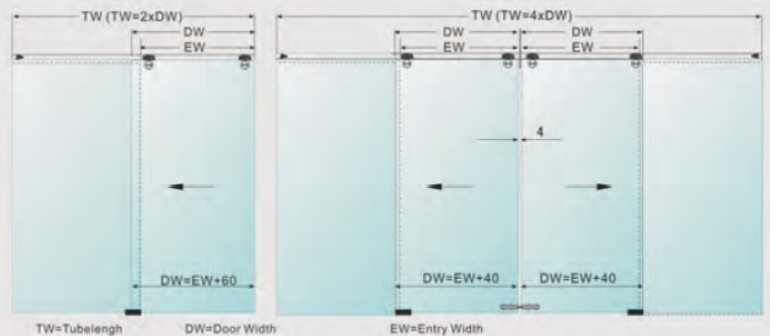
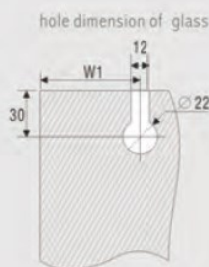


TOG

Touch of Glass
door & glass fittings



HU-1600—FIXED



TOG

Touch of Glass
door & glass fittings



A new high-tech complete solution for sliding door systems which stands out due to its revolutionary running smoothness and palpable ease of movement. What is so special about it: The entire installation requires only a few simple steps. Mounting is as quick, intuitive and thus cost-effective.

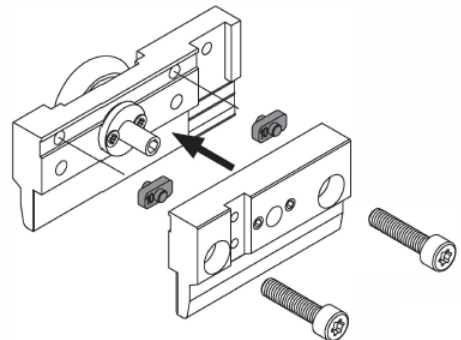
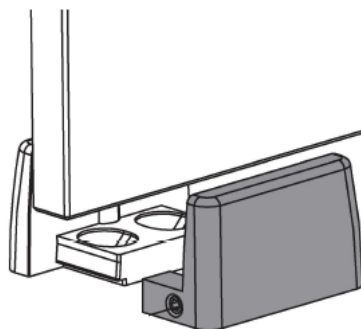
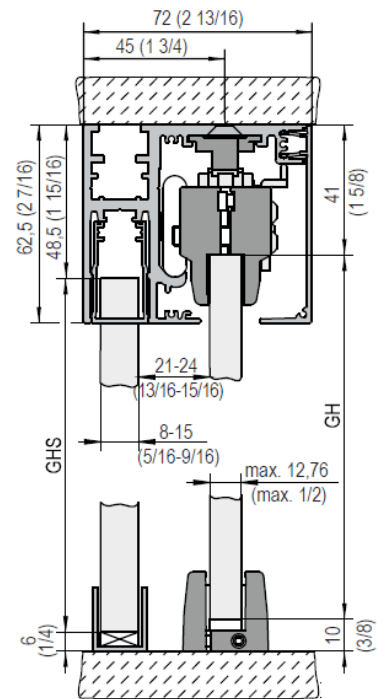
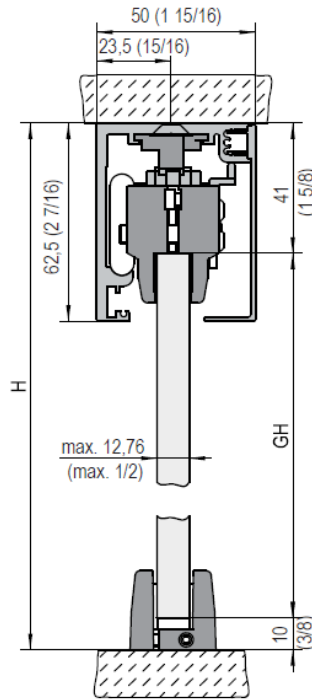
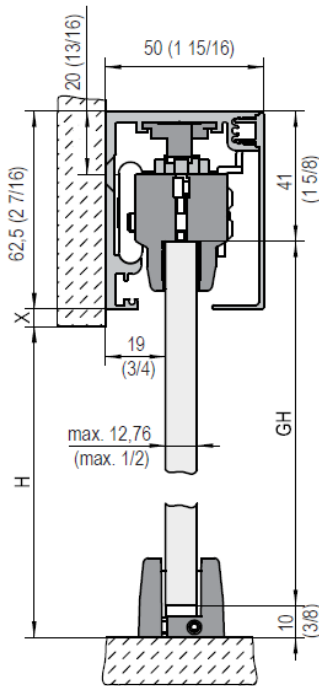
$$GH = H + X + 11,5 (7/16)$$

$$GH = H - 51 (2)$$

$$GH = H - 51 (2)$$

$$GHS = H - 55 (2 \ 3/16)$$

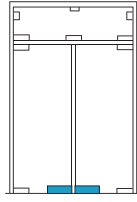
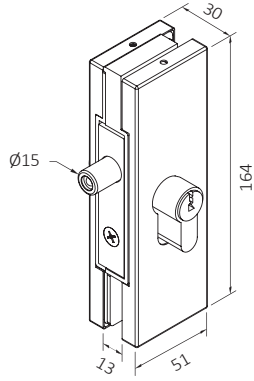
CONCEALED 80—120



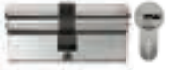


locks

US10



AVAILABLE WITH



• 2203.19 KEY CYLINDER

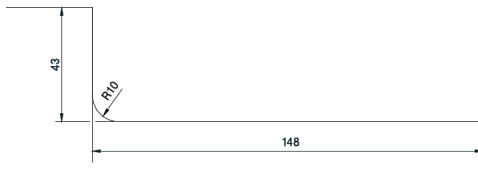


• TUMB TURN

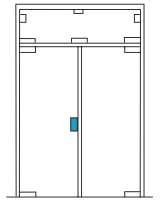
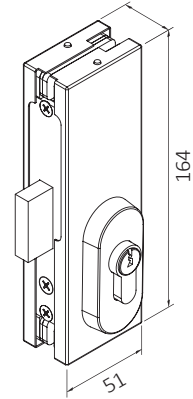
Side Lock

• 8-12mm* • 623 gr

* Up to 12mm Glass



US20



AVAILABLE WITH



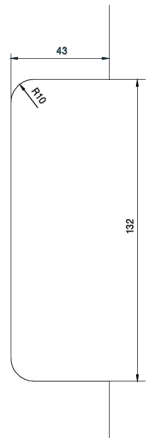
• 2203.19 KEY CYLINDER



• TUMB TURN

Side Lock

• 10-12mm • 1163 gr

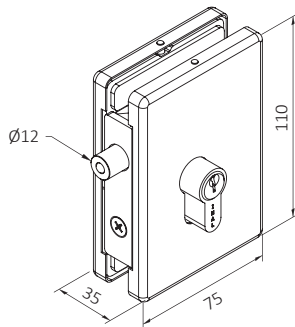
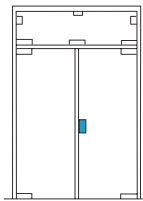


230

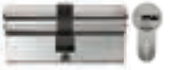


with out cylinder

230.00



AVAILABLE WITH



• 2203.19 SECURITY CYLINDER



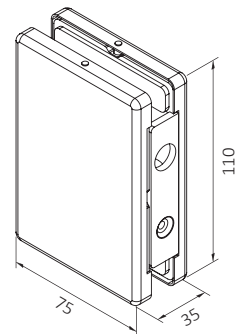
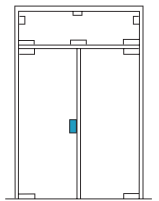
• 2204.19 CYLINDER WITH KNOB

Front Side Lock [Double Locking]

• 10mm* • 680 gr

* Up to 12mm Glass, upon request

231



Front Side Lock Female
[for side lock 230]

• 10mm* • 356 gr

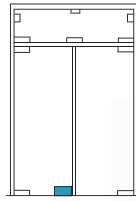
* Up to 12mm Glass, upon request

COVER FINISHING

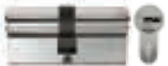
for **230 Front sidel lock**
& **230.00 Front sidel lock** & **231 Front Side Lock Female**

.01 .02 .07 .13 .14 .21 .21BLACK .25

210



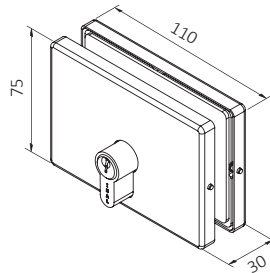
AVAILABLE WITH



• 2203.19 SECURITY CYLINDER



• 2204.19 CYLINDER WITH KNOB



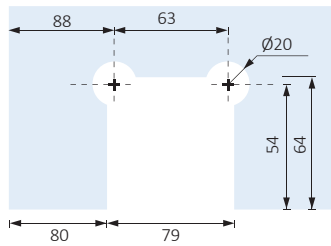
Floor Lock [Double Locking]

10mm* 689 gr

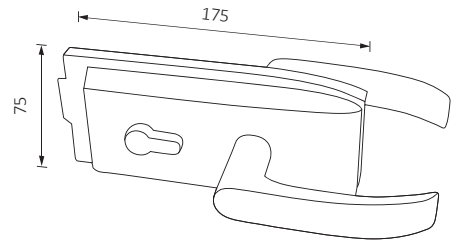
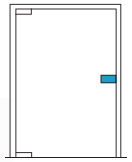
Cover finishing

.01 .02 .07 .08 .13 .14 .21 .21BLACK .25

* Up to 12mm Glass, upon request



247G

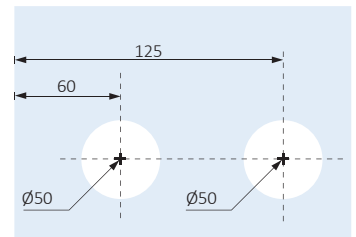


Mechanical Lock with Handle

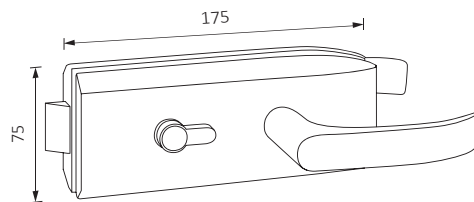
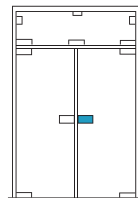
* [FOR ALUMINUM CASE PROFILE](#) or [ELECTRIC STRIKE](#)

10mm 1705 gr

Finishing .16



247

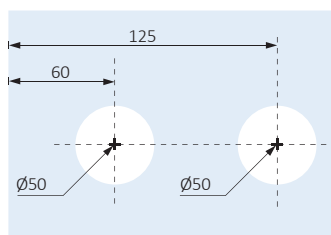


Front Lock with Handle

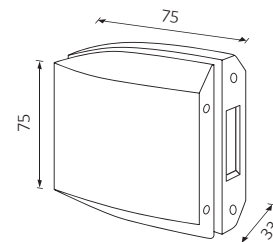
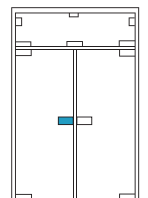
* [FOR WALL & GLASS TO GLASS APPLICATIONS](#)

10mm 1763 gr

Finishing .15 .16



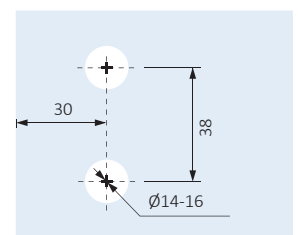
248



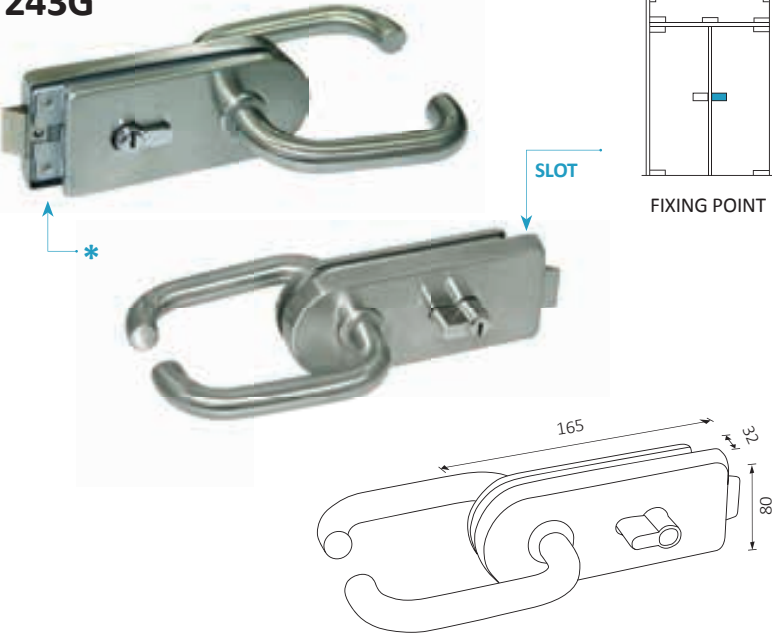
Female [for lock 247]

10mm 343 gr

Finishing .15 .16



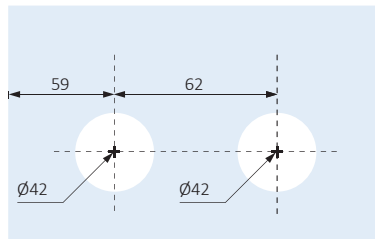
243G



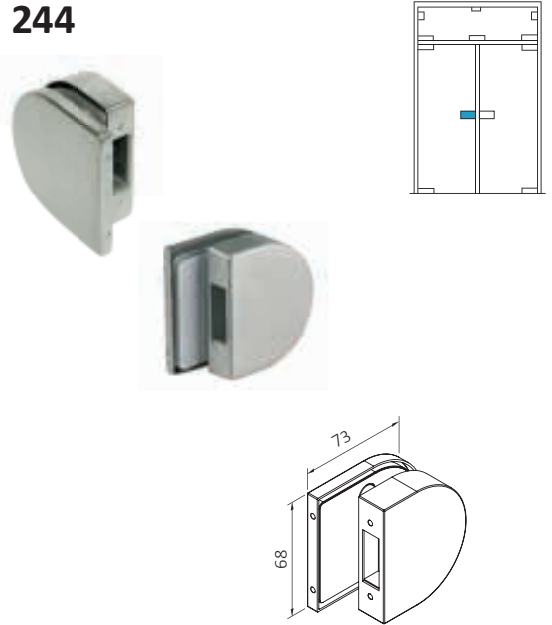
Front Lock with Handle for G-G or Case

* [FOR WALL & GLASS TO GLASS APPLICATIONS](#)

10-12mm 1457 gr
Cover finishing .13 .14

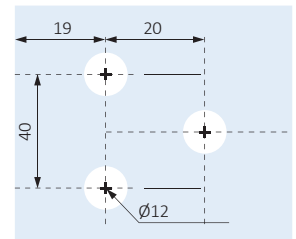


244

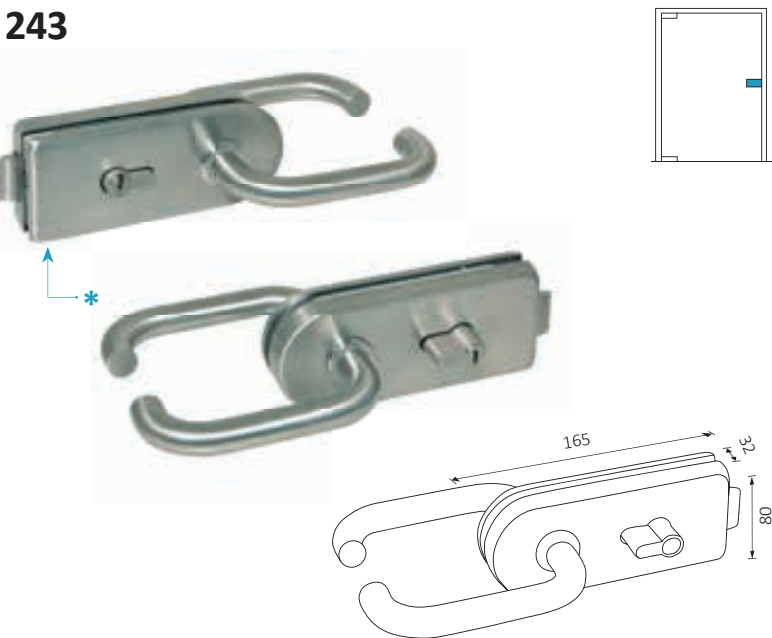


Female [for lock 243G]

10-12mm 203 gr
Cover finishing .13 .14



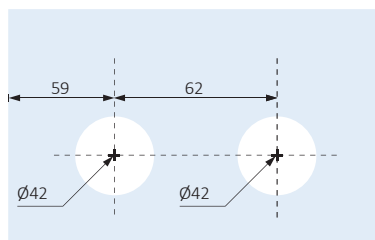
243



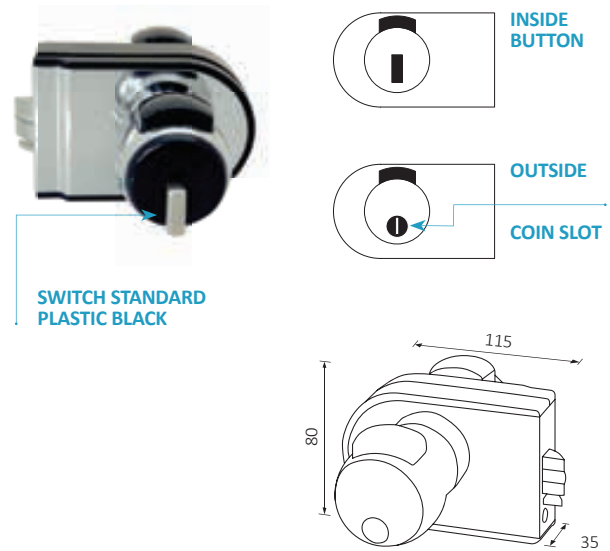
Front Lock with Handle

* [FOR ALL APPLICATIONS](#)

10-12mm 1457 gr
Cover finishing .13 .14

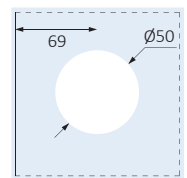


280 [w C]



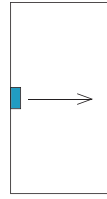
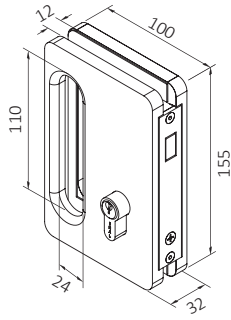
Glass Lock Meroni w C

10mm 762 gr
Finishing ..13w C .14w C .21w C BLACK
.21w C.G [GREY COLOUR] .21w C RAL



LOCKS

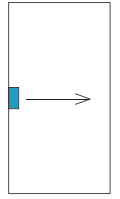
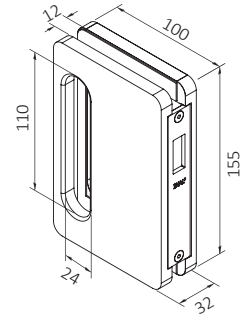
227



Lock **FOR SLIDING DOOR**

10mm AL. 877 gr | Finishing .01 .03 .04 .21BLACK .25

228



Lock Female [for lock 227]

10mm AL. 877 gr | Finishing .01 .03 .04 .25

COMBINE WITH INAL® CYLINDERS



with out cylinder

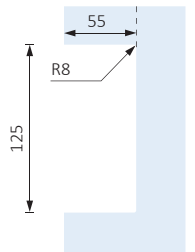
227.NCY



• 2229.19 SAFETY KEY CYLINDER

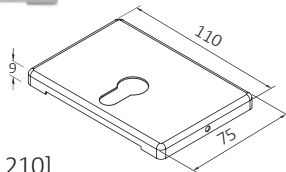
• 2228.19 SAFETY KEY CYLINDER WITH KNOB

• 2227.19 CYLINDER WITH KNOB AND COIN SLOT [W C APPLICATION]



covers for locks

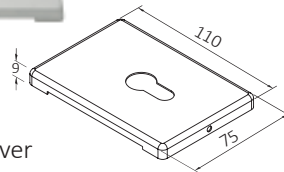
2101



Cover [for lock 210]

24-63 gr Finishing .01 .02 .07 .08 .13 .14 .21 ..21BLACK 25

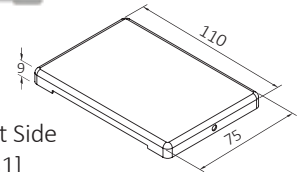
2102



Front Side Cover [for lock 230]

25-59 gr Finishing .01 .02 .07 .08 .13 .14 .21 .21BLACK .25

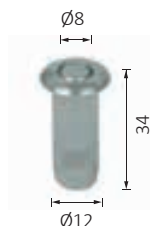
2106



Cover for Front Side Female [for 231]

27-61 gr Finishing .01 .02 .07 .08 .13 .14 .21 .21BLACK .25

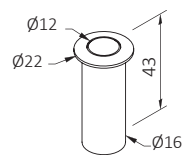
111



Lock Casing Ø8

17 gr | Finishing .13

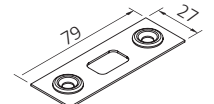
113



Lock Casing Ø12 Double Lock

22 gr | Finishing .13

109

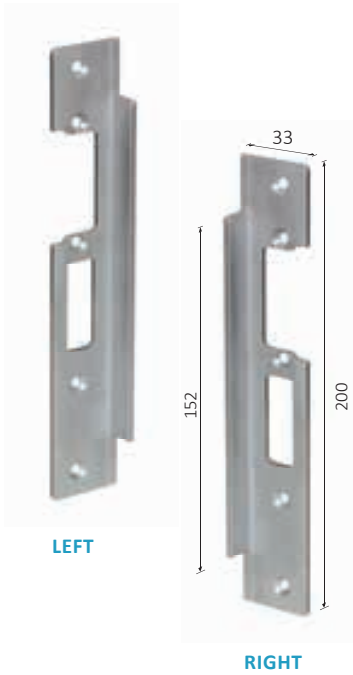


Lock Floor Plate | Finishing .01 .13 .14



door control
electric locks

1581



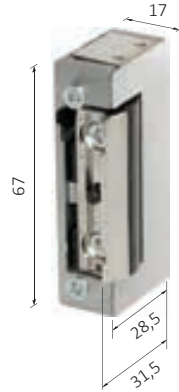
LEFT

RIGHT

Plate [for strike 290] R/L

● 53 gr

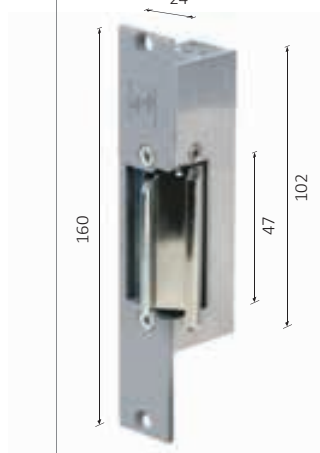
290.J



Electric Strike 12/24V AC/DC

● 134 gr

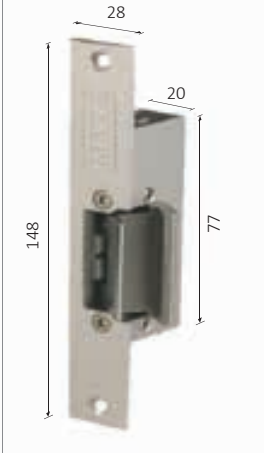
934



Electric Strike EFF-EFF Self Secure 12V DC for Glass

● 10mm ● 340 gr

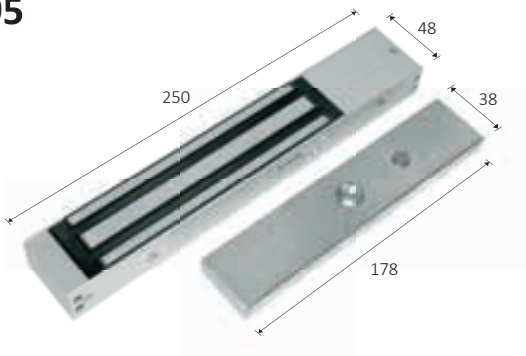
924



Electric Strike Self Secure 12V DC for Glass

● 10mm ● 313 gr

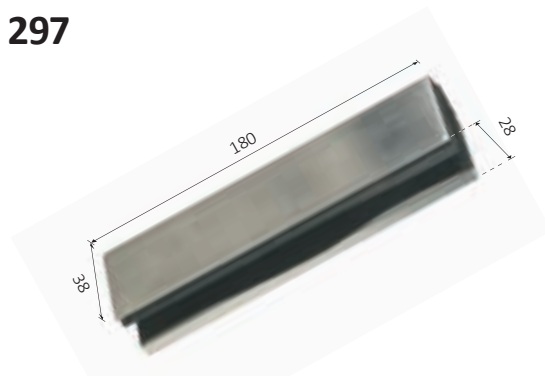
295



Electromagnetic Lock 12V DC

● 1830 gr | Finishing .01 **280Kgr [Force]**

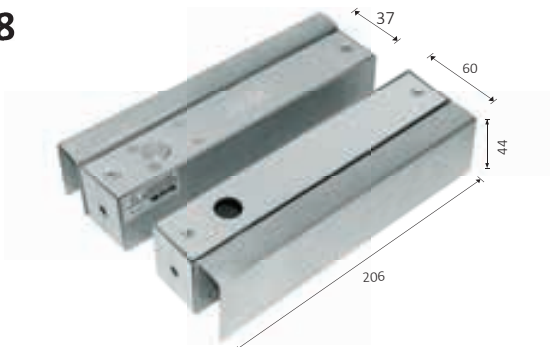
297



Additional Support clamp [for plate 295]

● 10-12mm ● 365 gr | Finishing .13 .14

298



Additional Electric Bolt AL/R [BOLT FAIL SAFE] 12V DC

● 10-20mm* ● 2108 gr

* Up to 20mm Glass

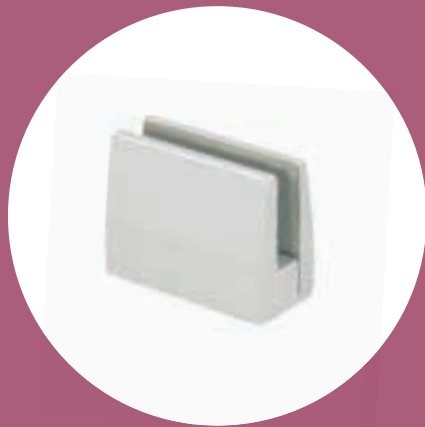
9334VGL



UPON REQUEST

Additional Electric Strike EFF-EFF 12V DC for Glass

● 10mm ● 1150 gr | Finishing .01

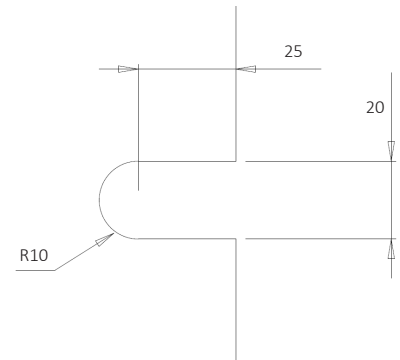
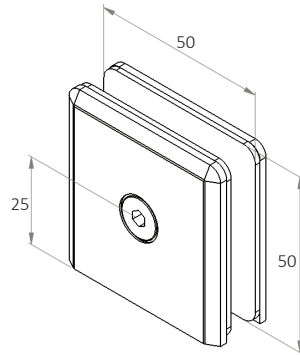


clips



CLIPS

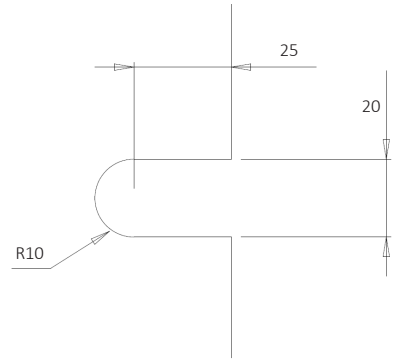
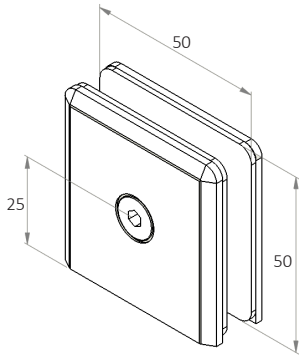
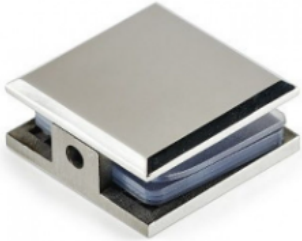
XD-901



wall to G lass Support

6-10mm POLISHED/SATIN/BLACK

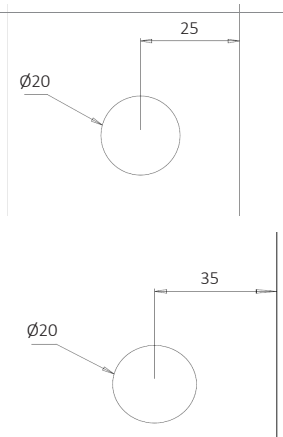
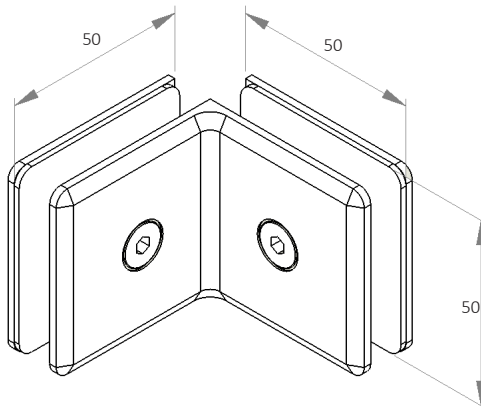
XD-901S



wall to G lass Support

6-10mm POLISHED/SATIN/BLACK

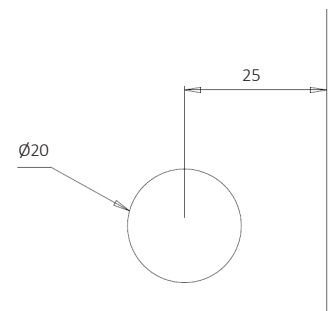
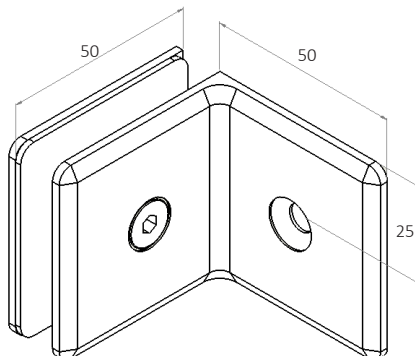
XD-902



Glass to Glass Support

6-10mm POLISHED/SATIN/BLACK

XD-903



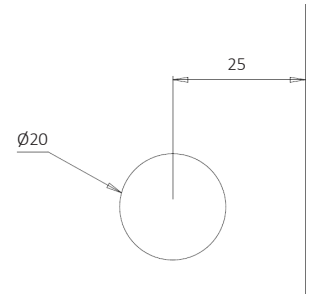
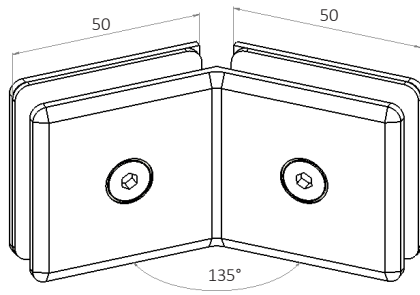
wall to G lass Support

6-10mm POLISHED/SATIN/BLACK



CLIPS

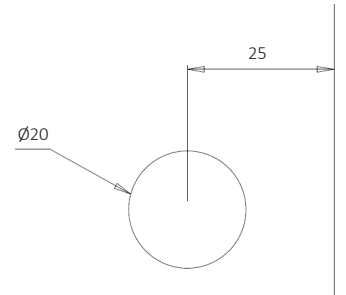
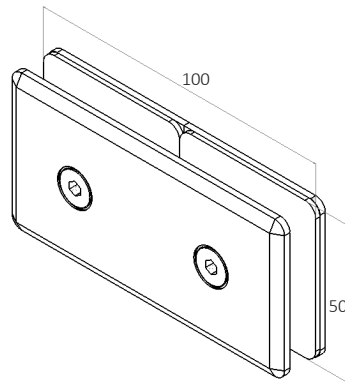
XD-904



Glass to Glass Support

6-10mm POLISHED/SATIN/BLACK

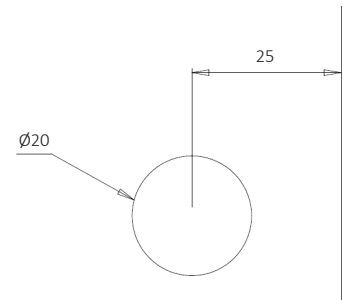
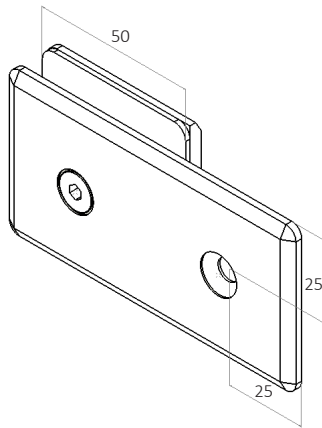
XD-905



Glass to Glass Support

6-10mm POLISHED/SATIN/BLACK

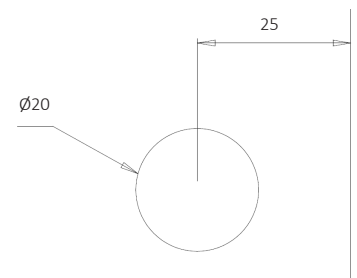
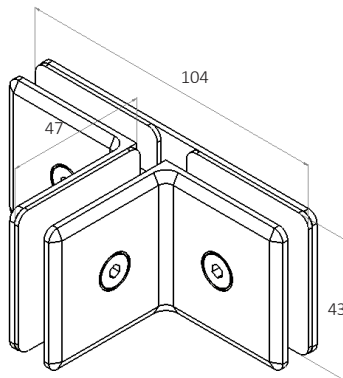
XD906



Wall to Glass Support

6-10mm POLISHED/SATIN/BLACK

XD907



Wall to Glass Support

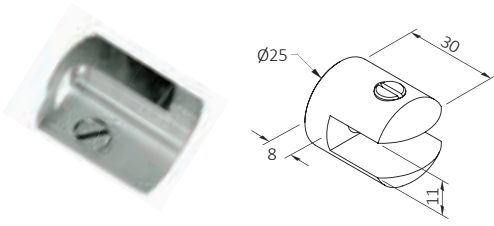
6-10mm POLISHED/SATIN/BLACK



support & spacers

SUPPORT & SPACERS

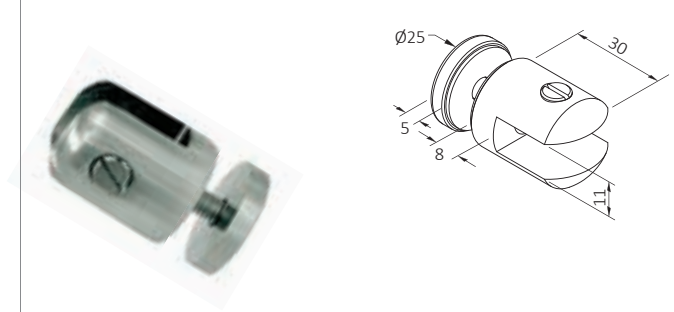
801



Glass-Self Support Ø25x30

8-10mm 67 gr | Finishing .09 .10 .11

802

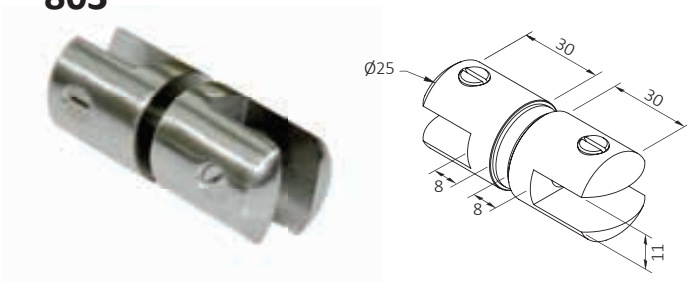


Glass-Self Support with End Stop Ø25x35

8-10mm 98 gr | Finishing .09 .10 .11



803

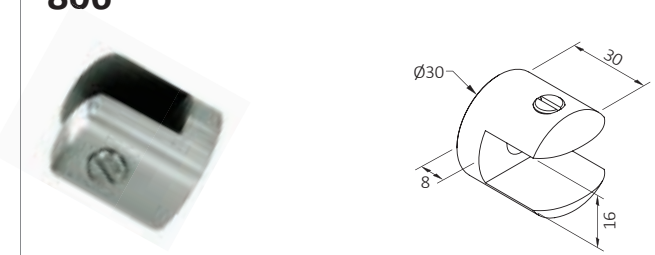


Double Glass-Self Support Ø25x30

8-10mm 138 gr | Finishing .09 .10 .11



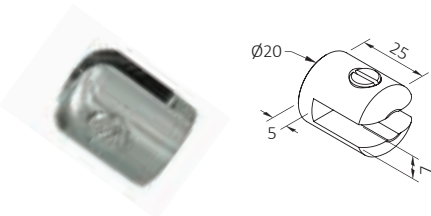
806



Glass Self-Support Ø30x30, 15mm

15mm 86 gr | Finishing .09 .10 .11

821



Small Glass-Self Support 5mm Ø20x25

5mm 38 gr | Finishing .09 .10 .11

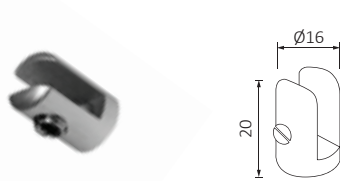
829



Glass Self-Support Aluminum Ø20x30mm, 10mm

10mm 13 gr
Finishing .01 .21 .21BLACK .33

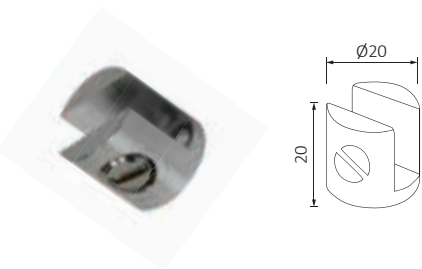
840



Glass Self-Support Aluminum Ø16x20mm, 7mm

7mm 8 gr
Finishing .01 .21 .21BLACK .33w

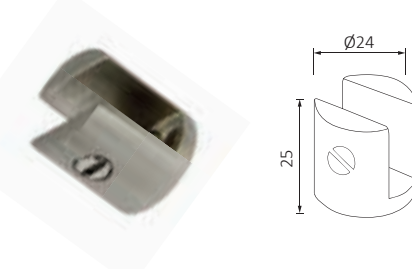
842



Glass clamp small ZINC ALLOY Ø20x20, 6mm

6mm 23 gr | Finishing .15 .16

843



Glass clamp ZINC ALLOY Ø24x25, 10mm

10mm 39 gr | Finishing .15 .16

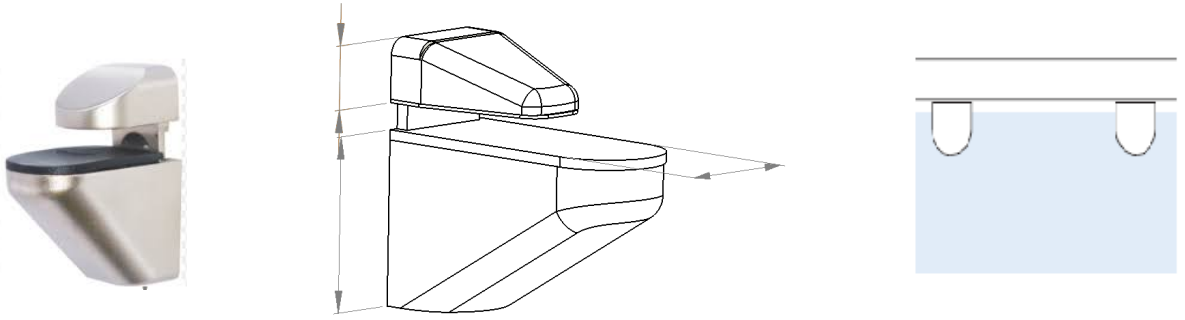
804



wall-Self Support 30mm / Door Stop

128 gr | Finishing .09 .10 .11

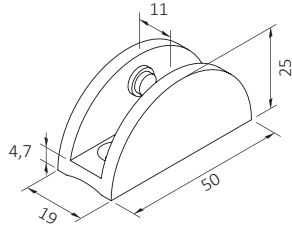
CODE



Clamp Large Curved Base 50mm

8-13mm 238 gr | Finishing .13 .14

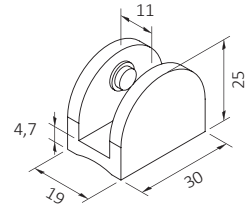
816



Support [Half Moon] 50mm

8-10mm 79 gr | Finishing .09 .10 .11

817

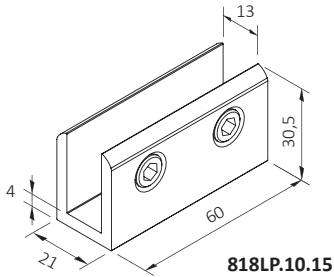


Support [Half Moon] Small 30mm

8-10mm 52 gr | Finishing .09 .10 .11

818LP.08.15

818LP.10.15

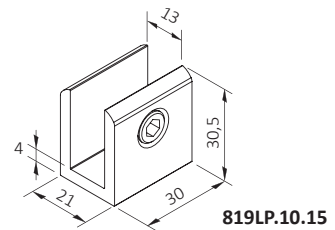


Rectangular Support

818LP.08.15=8mm, 818LP.08.15=10-12mm 54 gr
| Finishing .15 .16

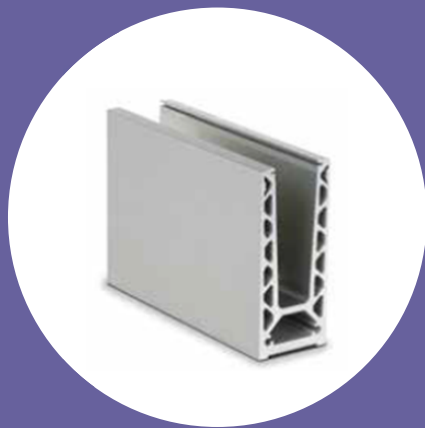
819LP.08.15

819LP.10.15



Rectangular Small Support

819LP.08.15=8mm, 819LP.08.15=10-12mm 36 gr
| Finishing .15 .16



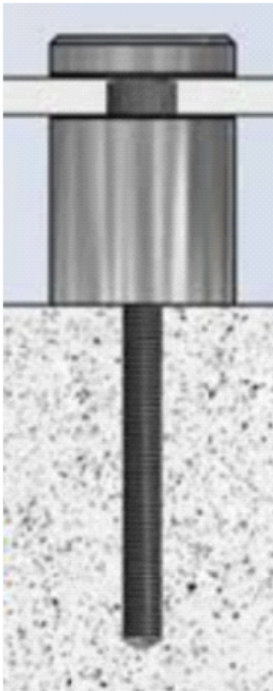
Balustrade

TOG

Touch of Glass
door & glass fittings

Glass balustrades are the ultimate means of creating a safety barrier for a balcony, pool or staircase. While providing safety, strength and security in and around your home, glass simultaneously offers uninterrupted views, style, spaciousness and long-lasting quality.

The TOG Stand off Glass Balustrade System is suitable for many applications from residential to commercial settings. Ideally suited for fitting to a finished surface or as a retro-fit.



ADVANTAGES OF THE BALUSTRADE SYSTEM:

Tested to comply with SANS balustrade regulations

Quick and easy installation

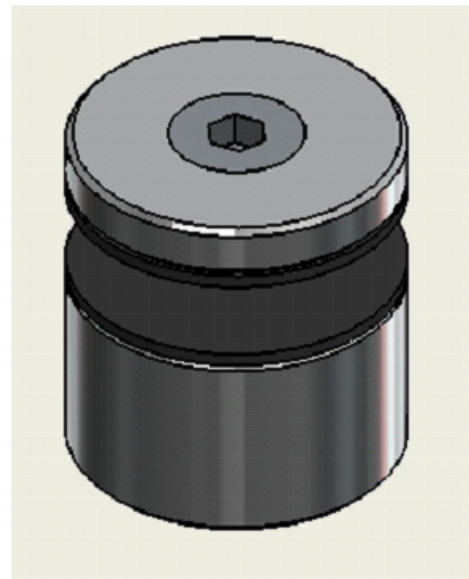
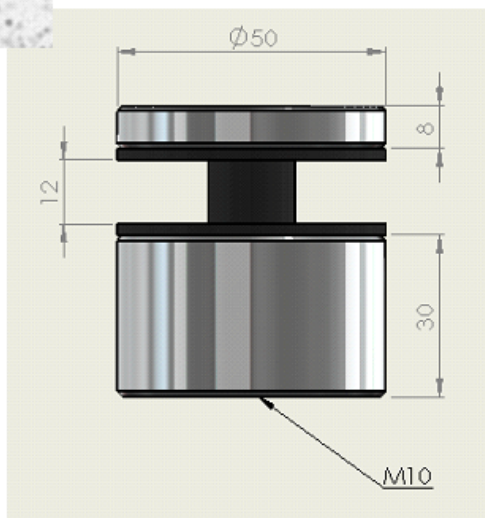
Adjustable after installation

Lightweight and extremely strong

Suitable for residential and commercial applications

Easy replacement of damaged glass

Available in different styles . 12mm to 15mm glass Competitive pricing



STAND OFF



TOG

Touch of Glass
door & glass fittings

Glass balustrades are the ultimate means of creating a safety barrier for a balcony, pool or staircase. While providing safety, strength and security in and around your home, glass simultaneously offers uninterrupted views, style, spaciousness and long-lasting quality.

The TOG Spigot Glass Balustrade System is suitable for many applications from residential to commercial settings. Ideally suited for fitting to a finished surface or as a retro-fit. TOG Glass Spigots are manufactured with a unique, simple adjustment system allowing horizontal alignment of each glass panel.

ADVANTAGES OF THE BALUSTRADE SYSTEM:

Tested to comply with SANS balustrade regulations

Quick and easy installation

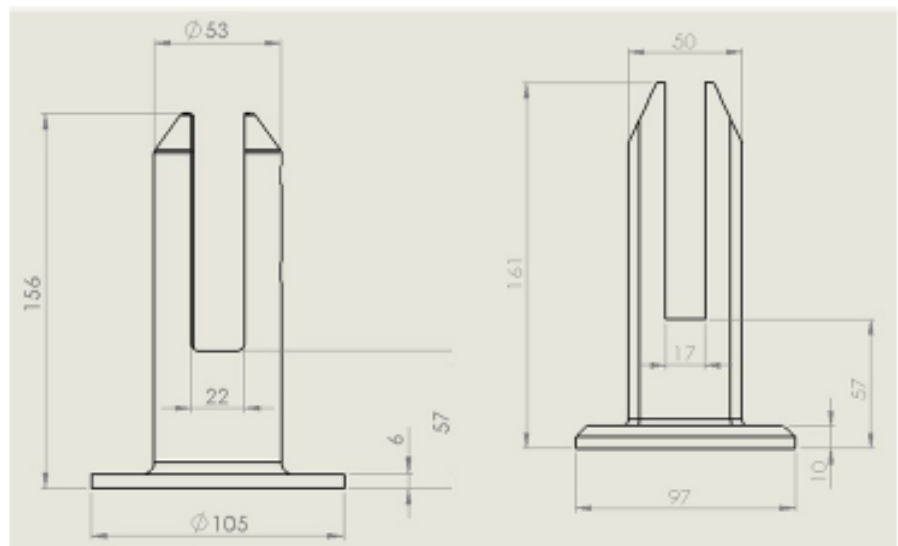
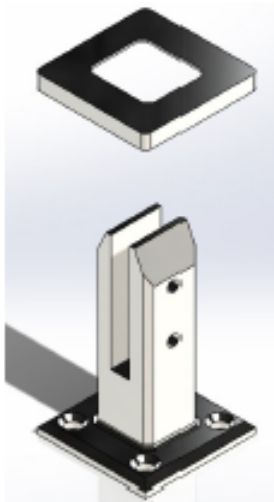
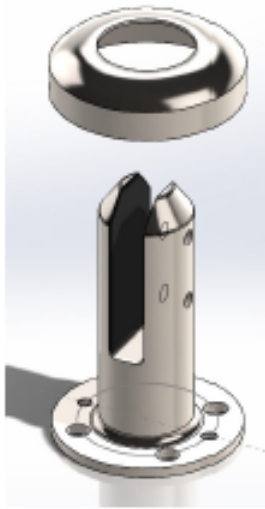
Adjustable after installation

Lightweight and extremely strong

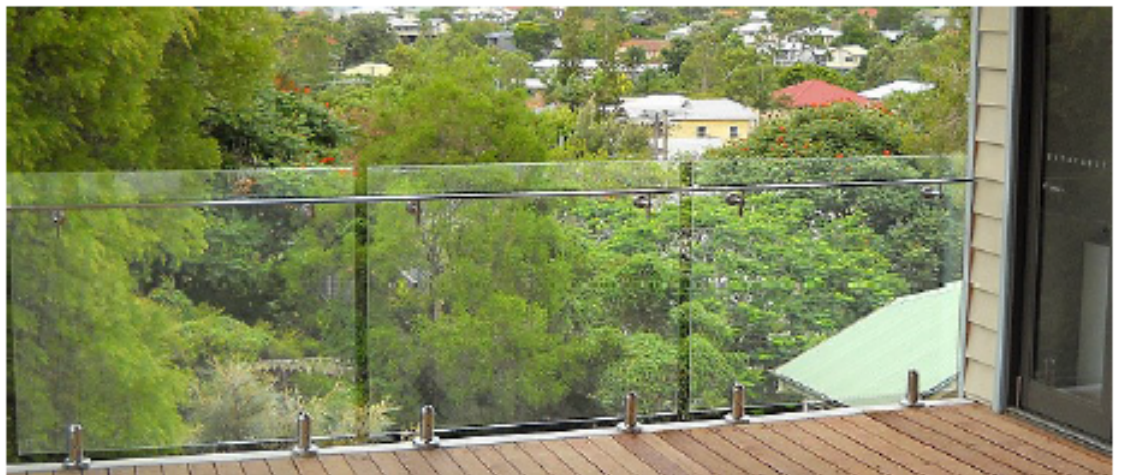
Suitable for residential and commercial applications

Easy replacement of damaged glass

Available in different styles . 12mm to 15mm glass Competitive pricing



SPIGOT



TOG

Touch of Glass
door & glass fittings

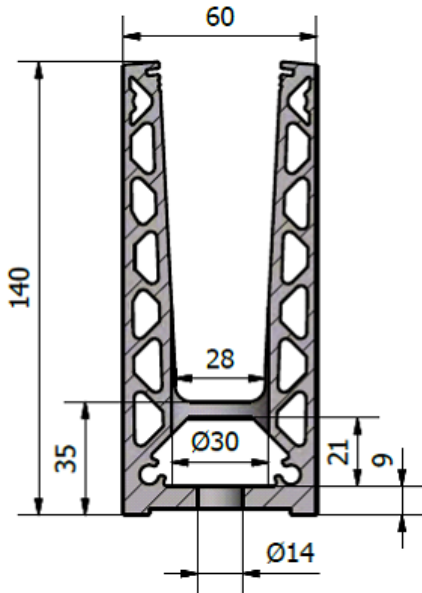
TL-6020

1.5 kN Top Mount

Level Up.

The TL-6020 U-profile is the intelligent onward development of the TL-6010 profile. Here the outstanding feature consists in the increase of mounting distances, which now enables the use of the profile also on an anchor bolt without countersunk head. Therefore, mounting the product is not only faster and more cost efficient, but also statics have improved considerably.

It can be used in exterior applications, withstands a linear load of 1.5 kN and is appropriate for glass thicknesses between 12 mm and 21.52 mm.



Essential Features

- | Slimline, elegant design and low-maintenance
- | ONLEVEL FLEXFIT Glass Adjustment Tool
- | Extension pin holes
- | Drainage holes
- | For use with Top Cover 3.0 kN
- | For glass thicknesses between 12 - 21.52 mm
- | For applications of 0.74kN in private areas, the mounting distance amounts to 60 cm



Glass profile



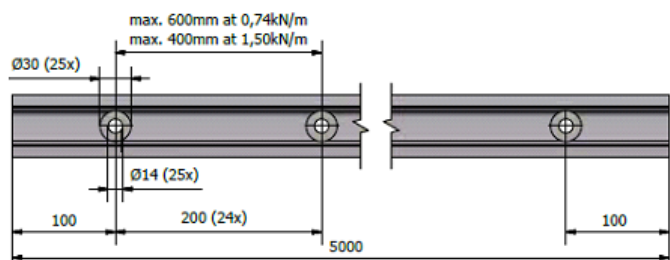
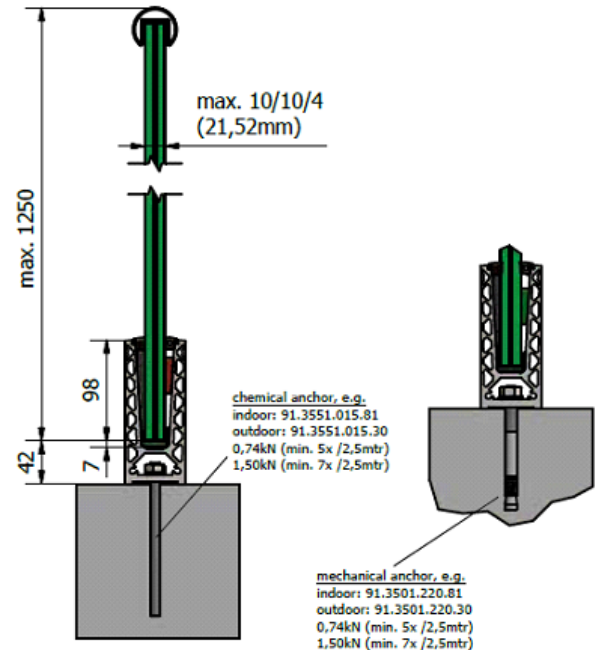
End cap, left/right



Extension pin

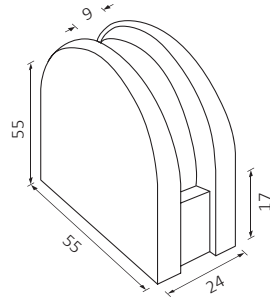


Fischer fixing anchor FIS AM M10x150



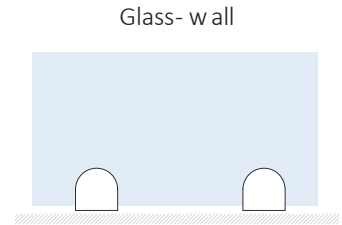
BALUSTRADE

410 [ZINC ALLOY]

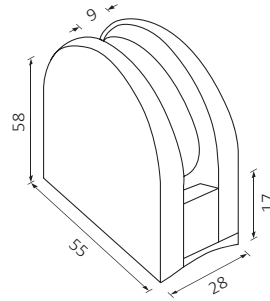


Zinc Alloy Clamp with Flat Base 55mm

8-10mm 170 gr | Finishing .15 .16

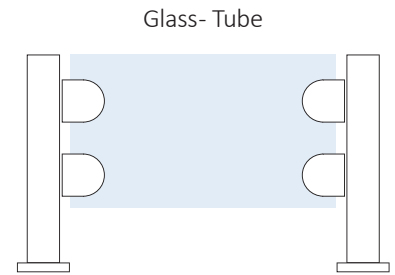


411 [ZINC ALLOY]



Zinc Alloy Clamp 55mm

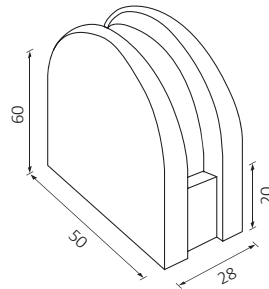
8-10mm 179 gr | Finishing .15 .16



410 [STAINLESS STEEL]

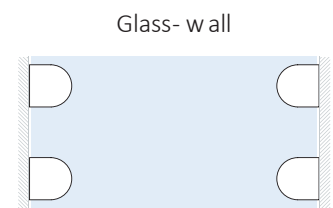


Glass Stopper



Clamp Large Stainless Steel 50mm

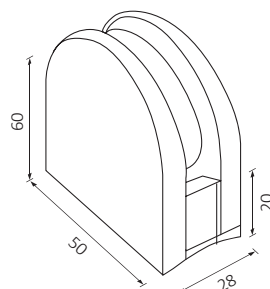
8-13mm 247 gr | Finishing .13 .14



411 [STAINLESS STEEL]

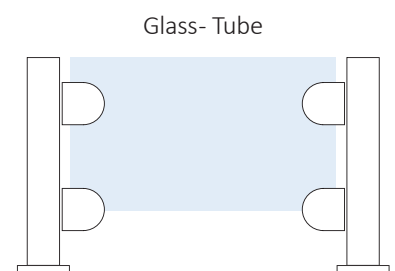


Glass Stopper



Clamp Large Curved Base 50mm Stainless Steel

8-13mm 238 gr | Finishing .13 .14

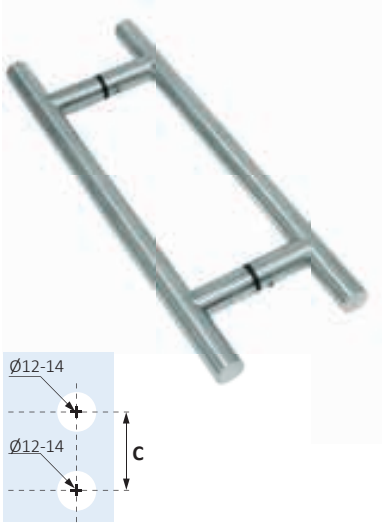




handles

640

DIAMETER	L [LENGTH]	C [CENTER]
Ø32	500	360
	700	500
	1000	800
	1200	1000
	1400	1200
	1800	1600



Stainless steel Handle H Ø32
Finishing .13 .14 .21BLACK

640.18

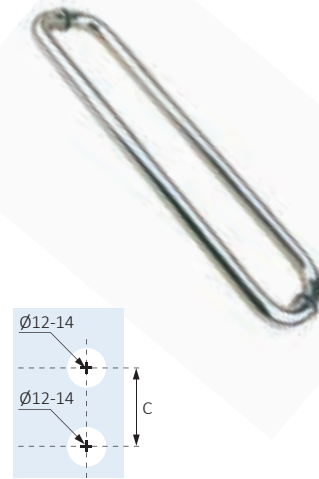
DIAMETER	L [LENGTH]	C [CENTER]
Ø18	195	145
	250	150
	300	200
	350	250



Stainless steel Handle H Ø18
Finishing .13 .14

631

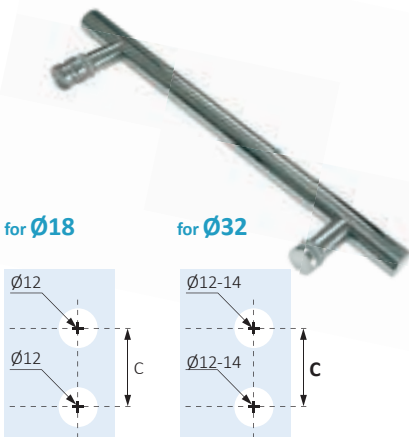
DIAMETER	L [LENGTH] / C [CENTER]
Ø32	360
	500
	600
	800
	900
	1200
	1600
	1800



Stainless steel Handle "Π"
Finishing .13 .14

644

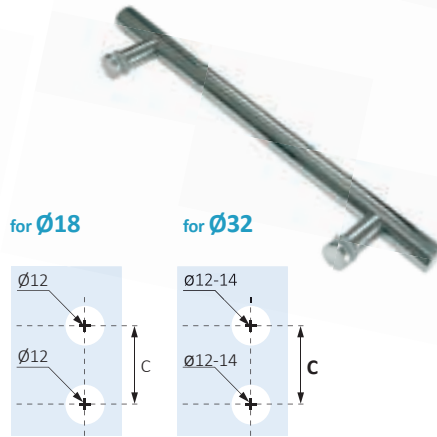
DIAMETER	L [LENGTH]	C [CENTER]
Ø32	500	360
	700	500
	1000	800
	1200	1000
	1400	1200
	1800	1600
Ø18	195	145
	250	150
	300	200
	350	250



Stainless steel Handle Ø18 & Ø32 Single
with cap and handle | Finishing .13 .14

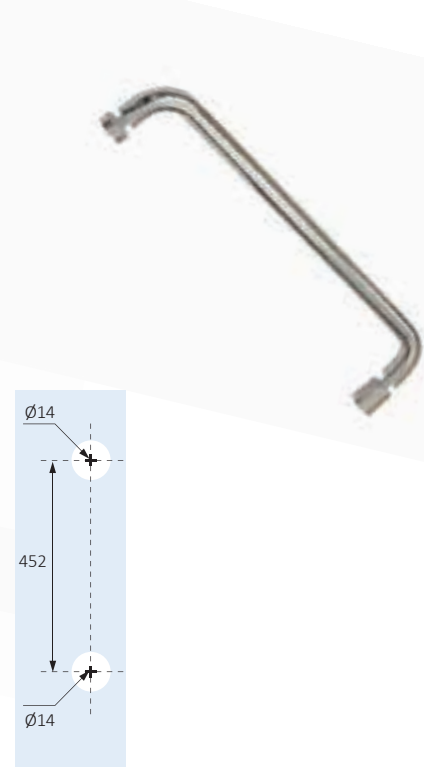
646

DIAMETER	L [LENGTH]	C [CENTER]
Ø32	500	360
	700	500
	1000	800
	1200	1000
	1400	1200
	1800	1600
Ø18	195	145
	250	150
	300	200
	350	250



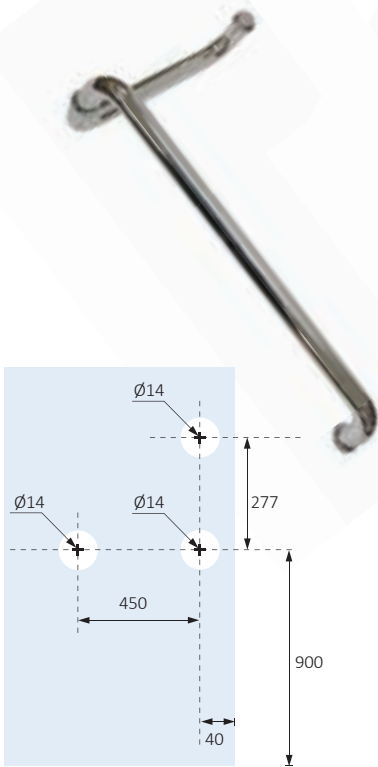
Stainless steel Handle Ø18 & Ø32 Single
with caps | Finishing .13 .14

644.2545.13



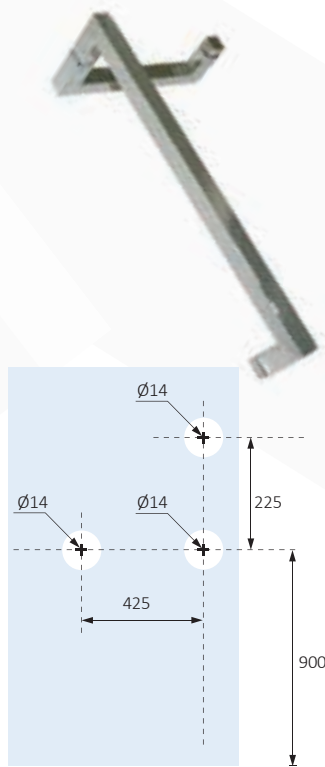
Stainless steel Handle Single "Π"
Finishing .13

651.45/28.13



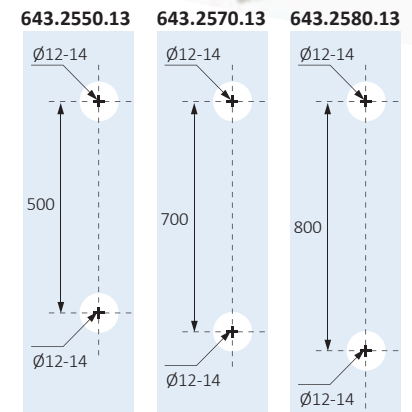
Stainless steel Shower Handle 450 x 280mm
Finishing .13 .14

651.45/25.13



Stainless steel Shower Handle "2П"
Finishing .13

643.2550.13 643.2570.13 643.2580.13

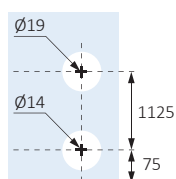


Stainless steel Shower Handle "П"
Finishing .13

642



DIAMETER	L [LENGTH]	C [CENTER]
Ø36	1500	1125

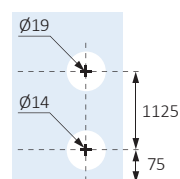


Stainless steel Handle "H" with lock
Finishing .13 .14

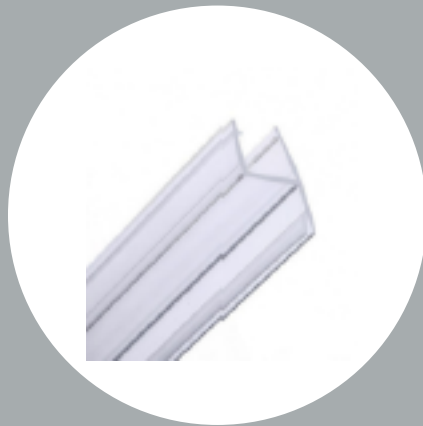
643



DIMENSION	L [LENGTH]
25x40	1500



Stainless steel Handle "H" 25x40 with lock
Finishing .13 .14

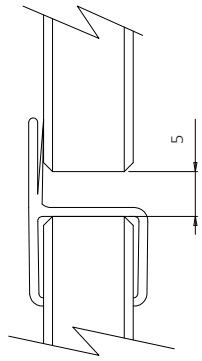


proofing



SHOWER SEALS

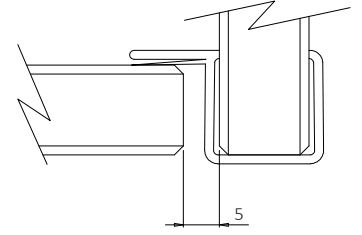
OXB-1



HARDLIP INLINE SEAL

6-8mm & 8-10mm Glass

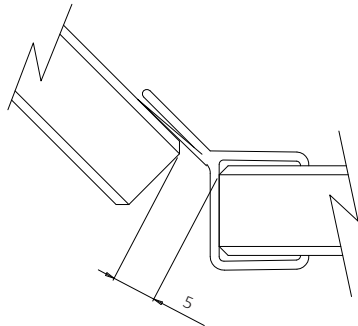
OXB-2



HARDLIP 90° SEAL

6-8mm & 8-10mm Glass

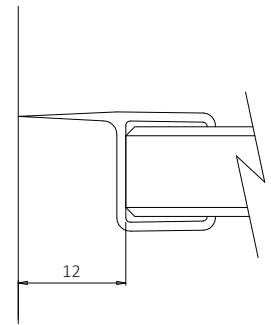
OXB-3



HARDLIP 135° SEAL

6-8mm & 8-10mm Glass

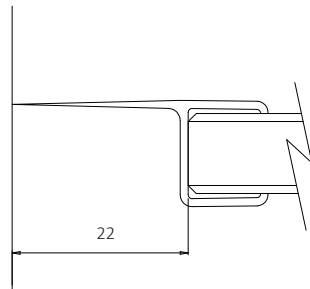
OXB-4



SOFTLIP INLINE SEAL

6-8mm & 8-10mm Glass

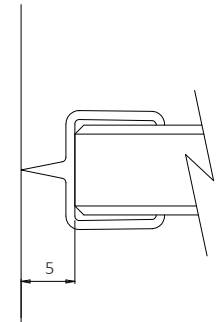
OXB-4C



SOFTLIP INLINE SEAL

6-8mm & 8-10mm Glass

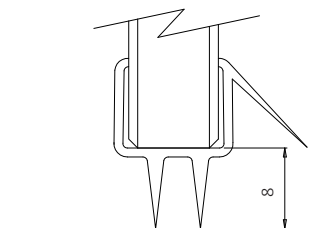
OXB-5



SOFTLIP INLINE SEAL

6-8mm & 8-10mm Glass

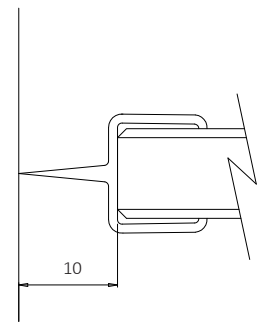
OXB-6



GUTTER SOFTLIP DRIP SEAL

6-8mm & 8-10mm Glass

OXB-7



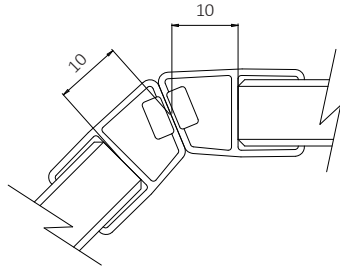
SOFTLIP INLINE SEAL

6-8mm & 8-10mm Glass



MAGNETIC SEALS

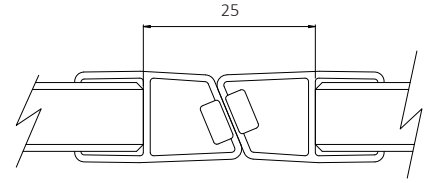
OXB-8



135° MAG SEAL - SET

6-8mm & 8-10mm Glass

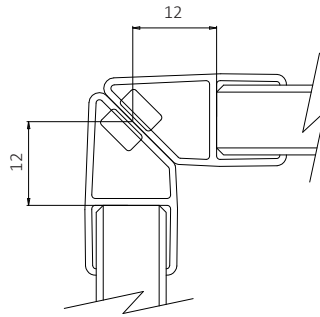
OXB-9



180° MAG SEAL - SET

6-8mm & 8-10mm Glass

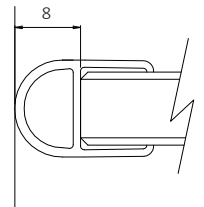
OXB-10



90° MAG SEAL - SET

6-8mm & 8-10mm Glass

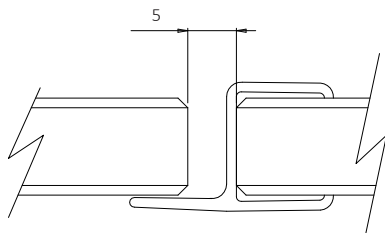
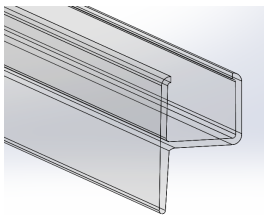
OXB-11



BUBBLE END SEAL

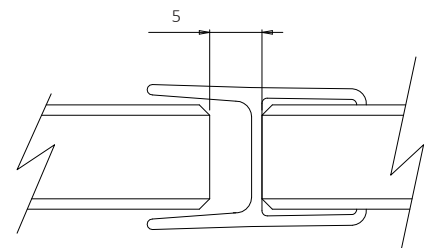
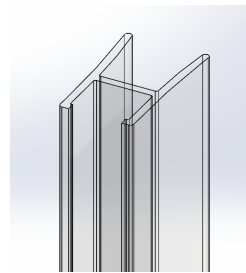
6-8mm & 8-10mm Glass

INLINE



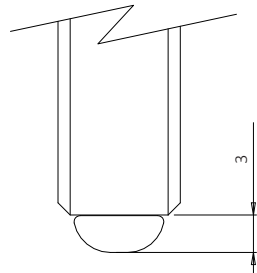
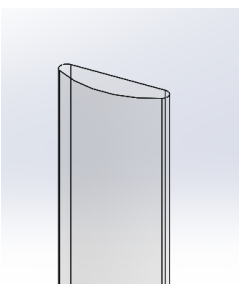
HARDLIP UV 180° SEAL

JAM SEAL

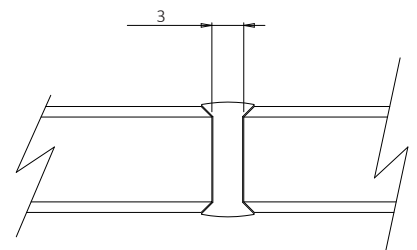
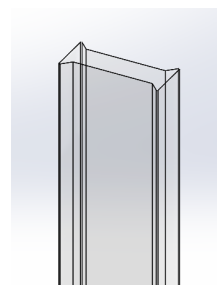


HARDLIP UV JAM SEAL

UNDER GLASS PROTECTOR



UNDERGLASS PROTECTOR



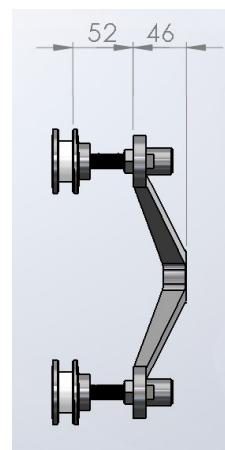
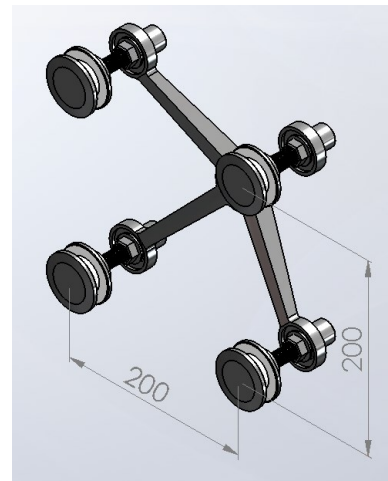
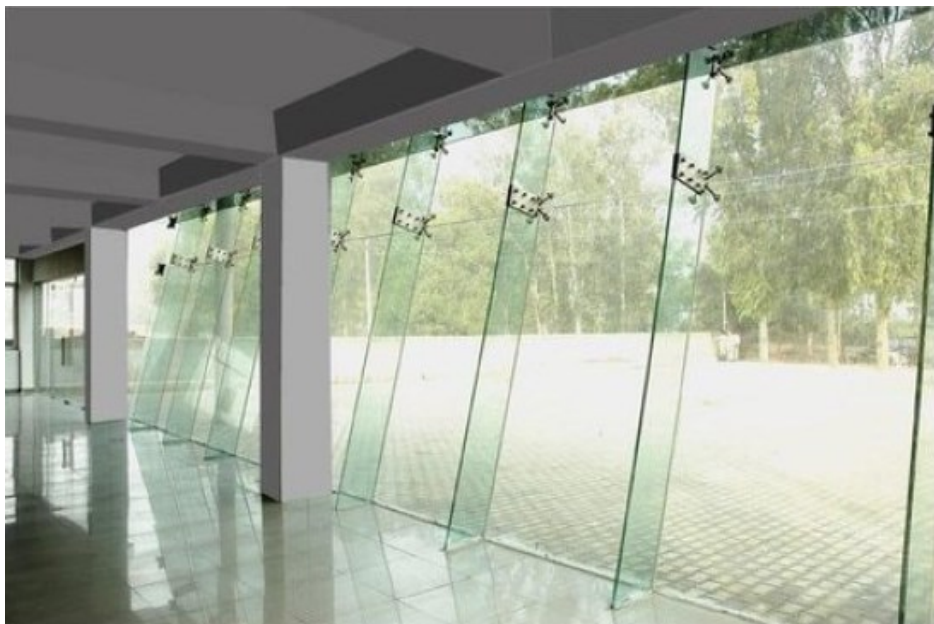
BUD JOINT SEAL



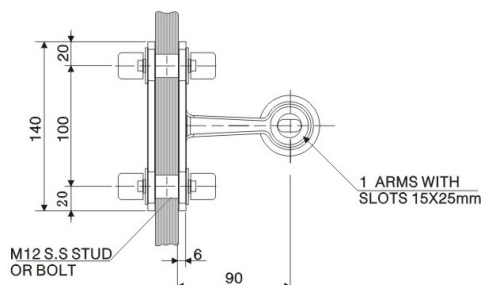
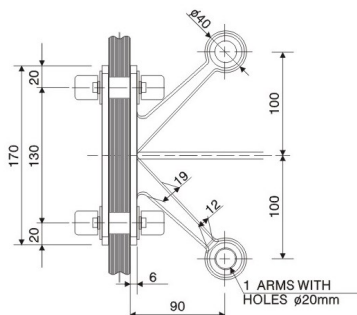
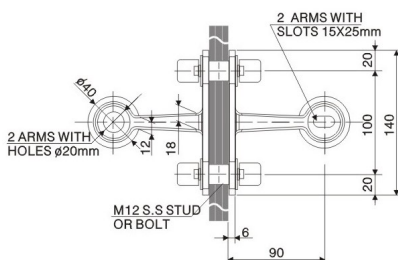
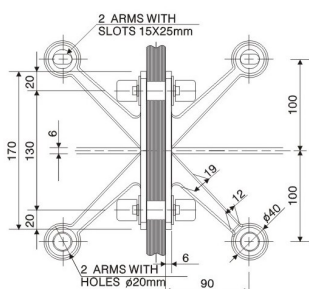
Spider Fittings

TOG

Touch of Glass
door & glass fittings



SPIDER FITTINGS





Automatics



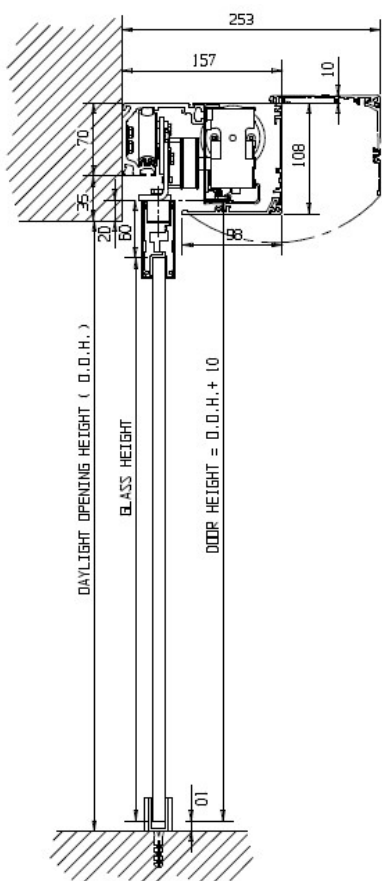
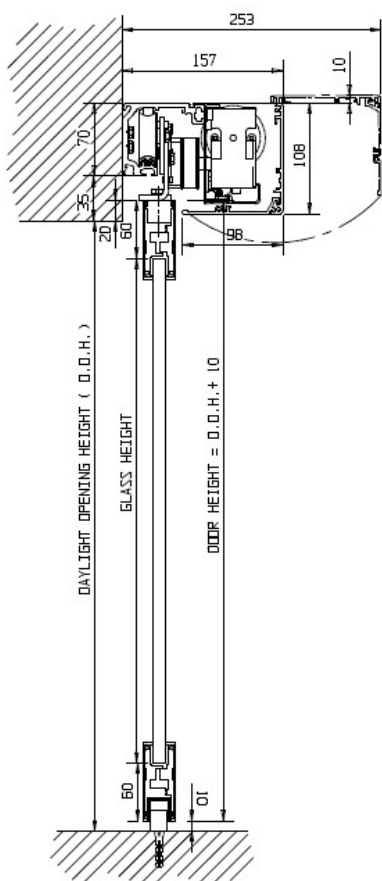
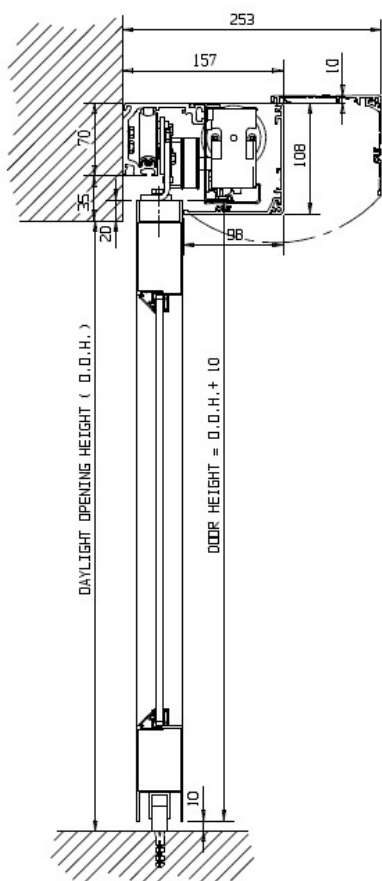
The record system 20 provides the right product for every application. Whether you require one of our highly versatile sliding doors, standard or telescopic, curved or angled, or one of our space-saving folding doors that fits into the tightest of spaces record system 20 can deliver all of this and more.

The record system 20 is the very latest generation of automatic door systems. In addition to making the development of tried and tested designs a permanent feature of their work, our developers have brought to market many innovative ideas which they have integrated into the record system 20.

The record system 20 is the very latest generation in automatic door systems. In addition to the qualities for which record has become legendary, i.e. exceptionally low-noise operation and typical Swiss quality, the innovative features of the record system 20 make it the market leader from the technological point of view.

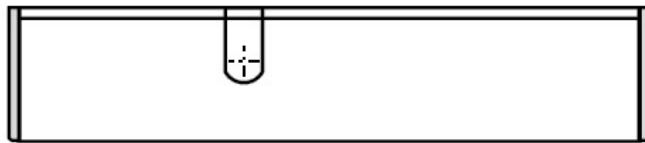
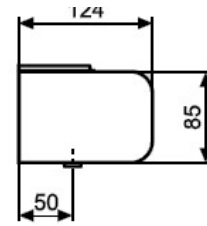
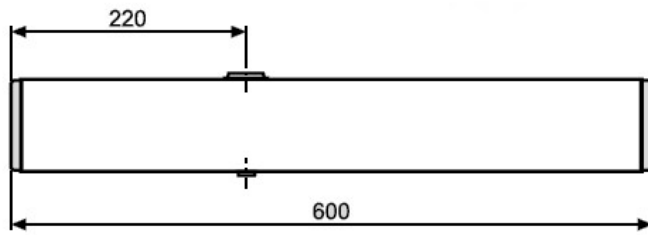


AUTOMATIC DOOR

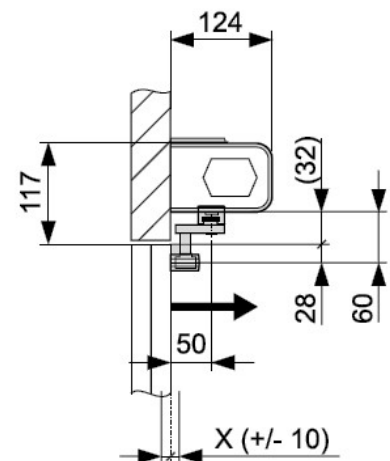
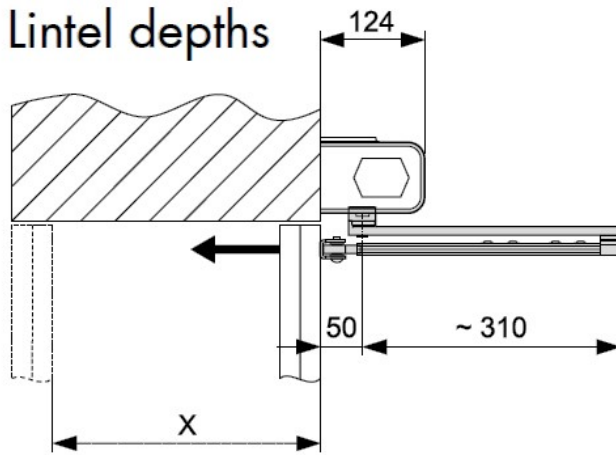


TOG

Touch of Glass
door & glass fittings

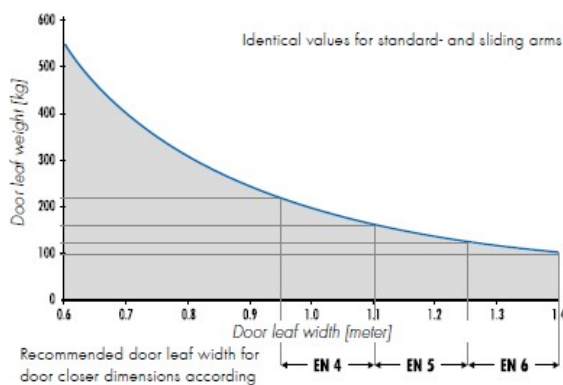


Lintel depths



Type Standard arm SG1 – SG3

Slide arm GG



AUTOMATIC SWINGDOOR



Advanced electronic control board equipped with a 32 bit microcontroller that perfectly controls and manages the movement of the motor

Practical alphanumeric display with keypad for easy adjustments, providing clear and detailed diagnostic information even at a distance.

Extended range power supply 100 240 V (50/60 Hz) with Switch Mode technology that guarantees high efficiency and reduction in energy consumption

Simple connection to power supply via a practical standard plug cable

Standard pre setting that satisfies almost all projects. The parameters can be easily modified for any specific need.

A terminal board for each accessory designed according to current European regulations that guarantees an easy connection of control and safety devices.

USB memory where the parameters and the operating information of the door are stored and allows to replicate or restore the same settings on similar systems them in case of replacement of the electronic control unit



FACE Direct-drive brushless motor



AUTOMATIC DOOR

