

# TOG

Touch of Glass  
door & glass fittings  
(021) 447 - 7411

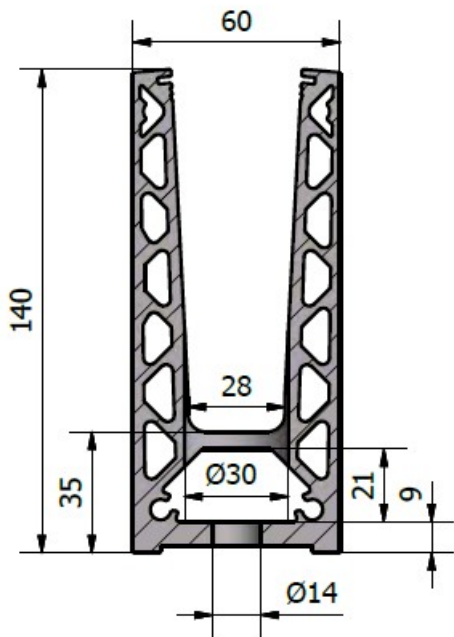
TL-6020

1.5 kN Top Mount

Level Up.

The TL-6020 U-profile is the intelligent onward development of the TL-6010 profile. Here the outstanding feature consists in the increase of mounting distances, which now enables the use of the profile also on an anchor bolt without countersunk head. Therefore, mounting the product is not only faster and more cost efficient, but also statics have improved considerably.

It can be used in exterior applications, withstands a linear load of 1.5 kN and is a propriate for glass thicknesses between 12 mm and 21.52 mm.



### Essential Features

- | Slimline, elegant design and low-maintenance
- | ONLEVEL FLEXFIT Glass Adjustment Tool
- | Extension pin holes
- | Drainage holes
- | For use with Top Cover 3.0 kN
- | For glass thicknesses between 12 - 21.52 mm
- | For applications of 0.74kN in private areas, the mounting distance amounts to 60 cm



# BALUSTRADE

### Glass profile



### End cap, left/right



### Extension pin



### Fischer fixing anchor FIS AM M10x150

